

# Technical Specification Sheet

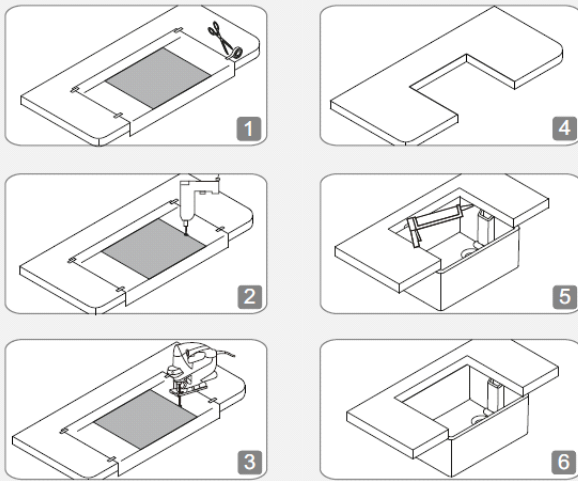
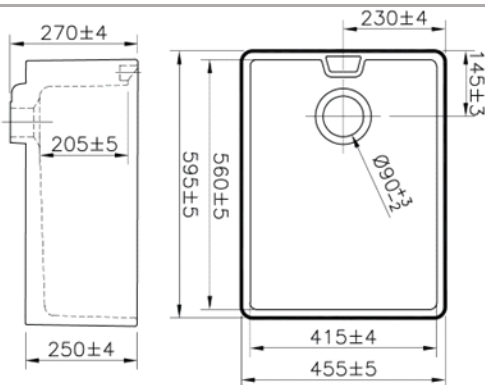
## BELFAST 90MM

Belfast Ceramic Sink c/w Waste



# REGINOX

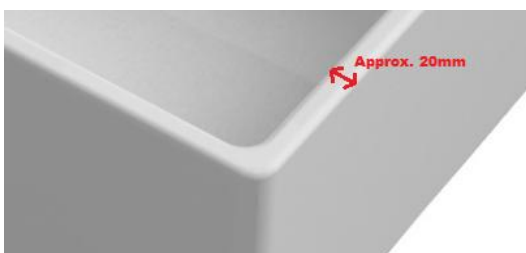
### Specification



**Not suitable for Waste Disposal Units.**

This item has a tolerance of +/- 10% due to the manufacturing process.

The wall thickness of this sink is approx. 20mm



Material	Ceramic
Finish	Glazed
Colours	White
No. of bowls	1
Fitting Method	Undermount/Freestanding
Handing Options	Reversible
Cabinet Size (mm)	600
Overall Length (mm)	595
Overall Width (mm)	455
Overall Depth (mm)	270
Main Bowl Length (mm)	560
Main Bowl Width (mm)	415
Main Bowl Depth (mm)	205
Second Bowl Length (mm)	N/A
Second Bowl Width (mm)	N/A
Second Bowl Depth (mm)	N/A
Tap Hole Size (mm)	N/A
Tap Hole Instructions	N/A
Waste Kit Included (Yes/No)	Yes
Clips & Seals Included (Yes/No)	N/A
Waste Size (mm)	90
Waste Kit Code	BELFAST 90MM WASTE
Clips & Seals Code	N/A
Overflow Location	Built in the mould of sink
Cut Out Length (mm)	N/A
Cut Out Width (mm)	N/A
Product Weight (kg)	32
Packed Weight (kg)	34
Packed Dimensions (mm)	640 x 505 x 340mm
EAN number	8693405447994

### Warranty

10 Year warranty on the sink only | Serviceable Parts/waste kit etc is 1 year

### Care & Maintenance

Use warm soapy water to clean/maintain sink | Daily Clean spray & Antiscale products are available for deeper cleans | Never use any abrasive chemicals/cleaning products on the surface of the sink as this will invalidate the warranty if used.