

Technical Specification Sheet

RL 301 CW

1.5 SD white ceramic

4081C003-7205



REGINOX

Specification

Material	Ceramic
Finish	Glossy
Colours	White
No. of bowls	2
Fitting Method	Inset only
Handing Options	Reversible
Cabinet Size (mm)	600
Overall Length (mm)	1010
Overall Width (mm)	525
Overall Depth (mm)	235
Main Bowl Length (mm)	327
Main Bowl Width (mm)	407
Main Bowl Depth (mm)	223
Second Bowl Length (mm)	161
Second Bowl Width (mm)	272
Second Bowl Depth (mm)	165
Tap Hole Size (mm)	35
Tap Hole Instructions	Gently tap punch on top of sink surface.
Waste Kit Included (Yes/No)	Yes
Clips & Seals Included (Yes/No)	N/A
Waste Size (mm)	90
Waste Kit Code	RL 301/401/501 WASTE
Overflow Location	Main Bowl
Cut Out Length (mm)	980
Cut Out Width (mm)	495
Product Weight (kg)	35
Packed Weight (kg)	37
Packed Dimensions (mm)	1060 x 590 x 240
EAN number	8693405495902

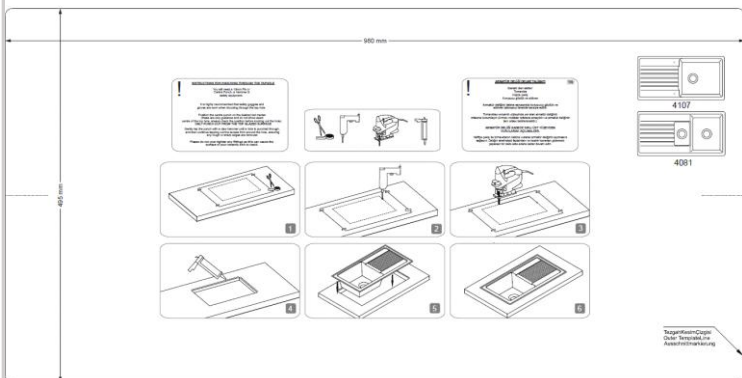
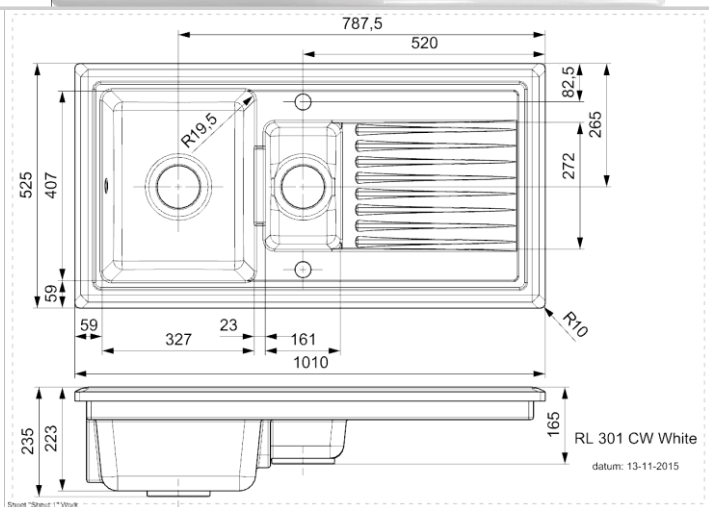
Warranty

10 Year warranty on the sink only | Serviceable Parts/waste kit etc is 1 year

Care & Maintenance

Use warm soapy water to clean/maintain sink | Daily Clean spray & Antiscale products are available for deeper cleans | Never use any abrasive chemicals/cleaning products on the surface of the sink as this will invalidate the warranty if used.

Please note that the red dot labels are for guidance only and do not give the exact centre of the tap hole.



Additional Information

Tolerance level can be up to +/- 10mm due to the process.

Sink is Designed for 40mm Worktops, If you use a worktop of less than 35mm, please be aware the Sink will protrude on the underside in the drainage area and if you're fitting an appliance there it may foul.

37mm recess under the drainer

Sink is approx. 25mm thick on top of the worktop

ceramic around the waste is around 20mm (give or take a millimetre or two)