

# Technical Specification Sheet

## NEWJERSEY50X37X10CM 90mm Waste

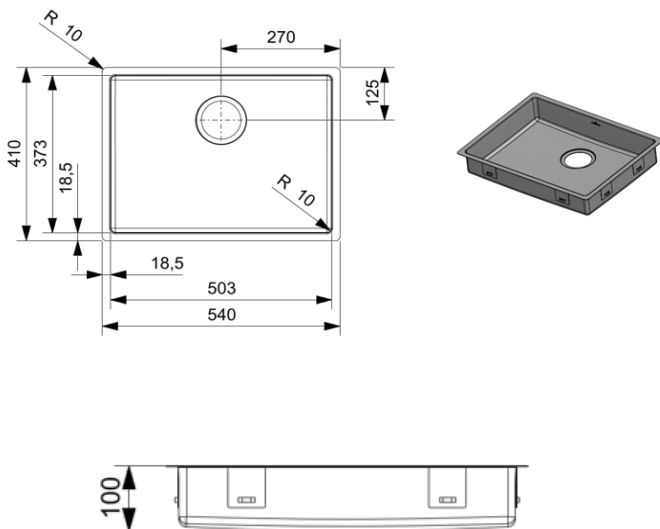
R38482

NEW JERSEY 50x37 x 10cm 90MM Waste



### Specification

|                                 |                                   |
|---------------------------------|-----------------------------------|
| Material                        | Stainless Steel                   |
| Finish                          | Polished                          |
| Gauge                           | 0.9                               |
| Welded/Pressed                  | Pressed                           |
| No. of bowls                    | 1                                 |
| Fitting Method                  | Inset, Intergrated and Undermount |
| Cabinet Size (mm)               | 600                               |
| Overall Length (mm)             | 410                               |
| Overall Width (mm)              | 540                               |
| Main Bowl Length (mm)           | 373                               |
| Main Bowl Width (mm)            | 503                               |
| Main Bowl Depth (mm)            | 100                               |
| Second Bowl Length (mm)         | N/A                               |
| Second Bowl Width (mm)          | N/A                               |
| Second Bowl Depth (mm)          | N/A                               |
| Tap Hole Size (mm)              | N/A                               |
| Waste Kit Included (Yes/No)     | Yes                               |
| Clips & Seals Included (Yes/No) | Yes                               |
| Waste Size (mm)                 | 90mm                              |
| Waste Kit Code                  | M 1656                            |
| Clips & Seals Code              | Z 1290 (Undermount),<br>Z 1200    |
| Overflow Location               | N/A                               |
| Cut Out Length (mm)             |                                   |
| Cut Out Width (mm)              |                                   |
| Product Weight (kg)             | 9                                 |
| Packed Weight (kg)              | 11                                |
| Packed Dimensions (mm)          |                                   |
| EAN number                      | 5060916362185                     |



### Warranty

Lifetime on manufacturing | 1 years serviceable parts warranty (waste kit, clips & seals)

### Care & Maintenance

Clean with warm soapy water only | You can use the Reginox INOX care cream to help maintain the steel finish | Avoid using anything abrasive on sink surface as will void the warranty