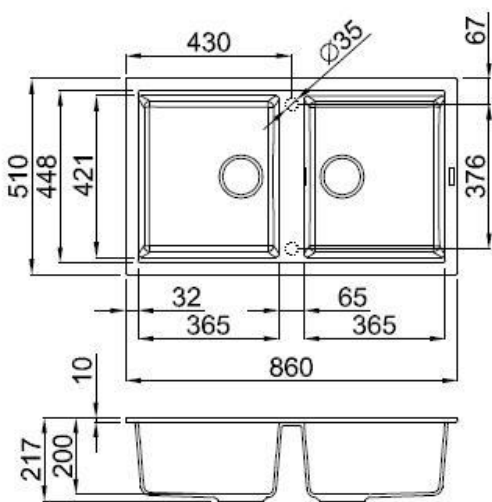


# Technical Specification Sheet

## BEST 450 K+

2 bowl granite sink



### Specification

|                                 |  |
|---------------------------------|--|
| Material                        | Granite                                  |
| Finish                          | Keratek                                  |
| Colours                         | Black / Light Grey / White               |
| No. of bowls                    | 2  |
| Fitting Method                  | Inset Only                               |
| Handing Options                 | Reversible                               |
| Cabinet Size (mm)               | 900                                      |
| Overall Length (mm)             | 860                                      |
| Overall Width (mm)              | 510                                      |
| Main Bowl Length (mm)           | 365                                      |
| Main Bowl Width (mm)            | 421                                      |
| Main Bowl Depth (mm)            | 200                                      |
| Second Bowl Length (mm)         | 365                                      |
| Second Bowl Width (mm)          | 421                                      |
| Second Bowl Depth (mm)          | 200                                      |
| Tap Hole Size (mm)              | 35 (Pre-drilled under sink)              |
| Tap Hole Instructions           | Drill out using diamond core drill piece |
| Waste Kit Included (Yes/No)     | Yes                                      |
| Clips & Seals Included (Yes/No) | Yes                                      |
| Waste Size (mm)                 | 90                                       |
| Waste Kit Code                  |  |
| Clips & Seals Code              | N/A                                      |
| Overflow Location               | In the Right Bowl                        |
| Cut Out Length (mm)             | 840                                      |
| Cut Out Width (mm)              | 480                                      |
| Product Weight (kg)             |  |
| Packed Weight (kg)              |  |

### Warranty

10 Year warranty on the sink only | Serviceable Parts/waste kit etc is 1 year

### Care & Maintenance

Use warm soapy water to clean/maintain sink | Elleci Daily Clean spray & Antiscale products are available for deeper cleans | Never use any abrasive chemicals/cleaning products on the surface of the sink as this will invalidate the warranty if used.