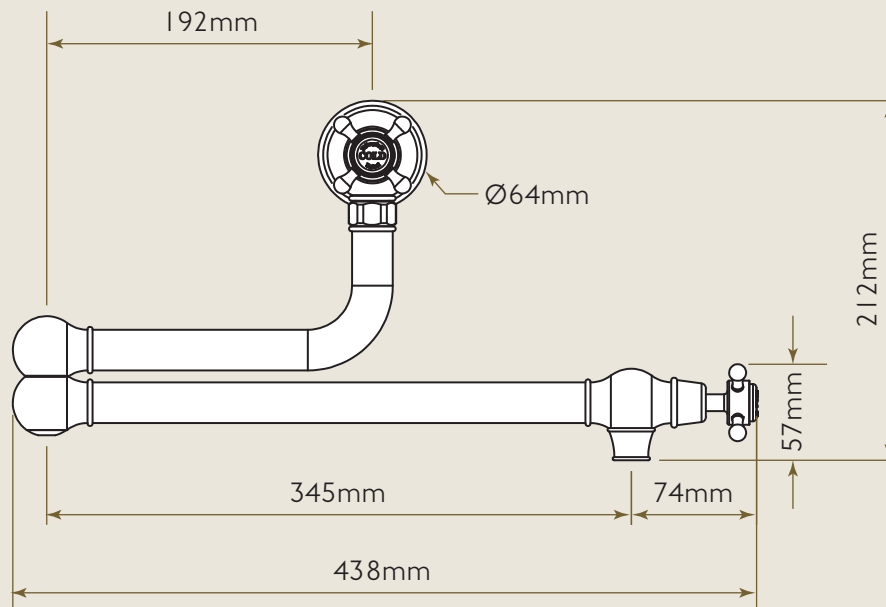


Bidbury & Co

Traditional Kitchen Tap Collection

Oakridge



Recommended hole size: 25mm

ENSURE CORRECT PRESSURE BEFORE FITTING:
Minimum operating pressure 1.0 Bar
Recommended operating pressure 2.0 Bar
Maximum operating pressure 3.0 Bar

TWIN LEVER POT FILLER WITH CROSSHEAD HANDLES