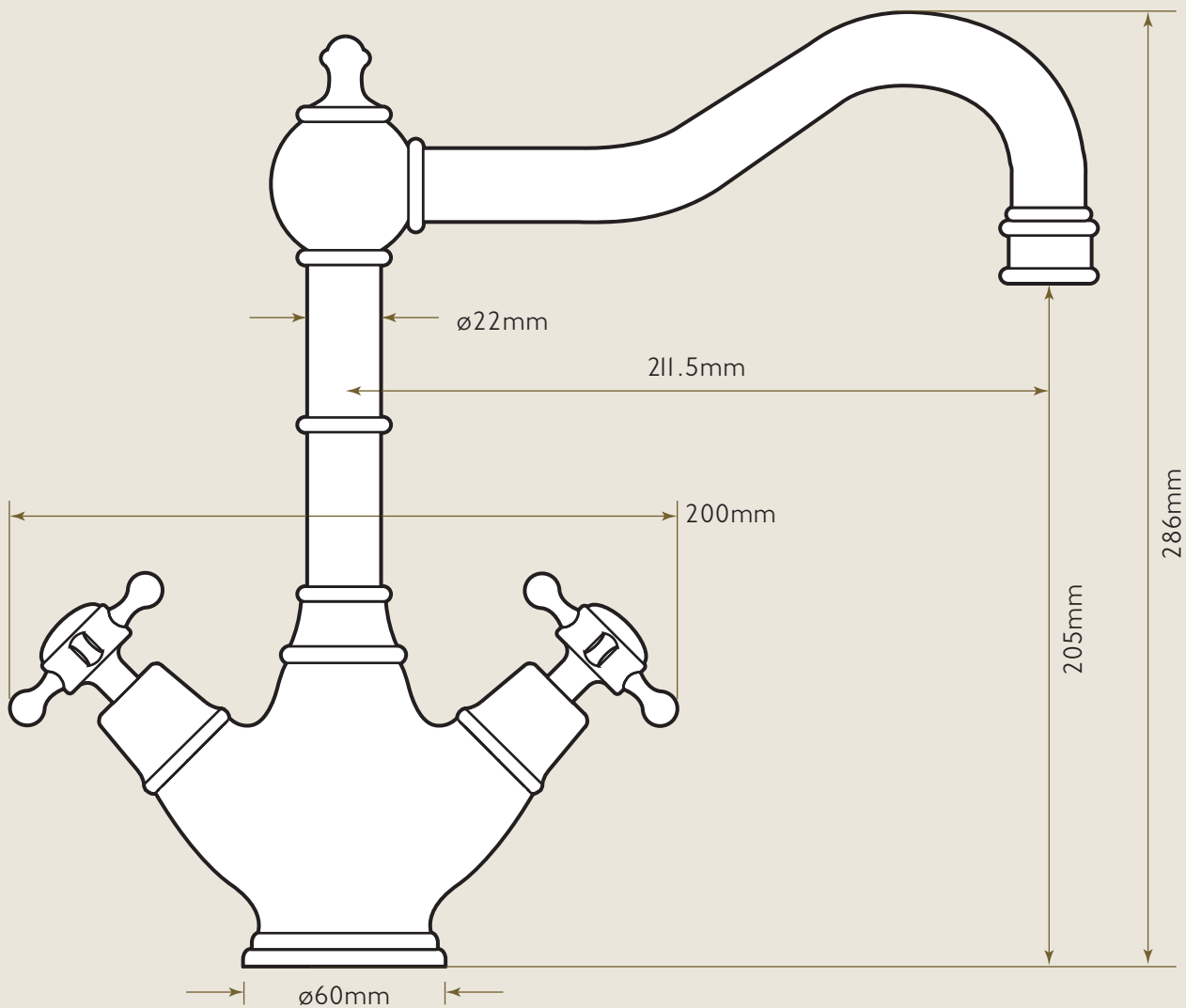


Bidbury & Co.

NEW PRODUCT DEVELOPMENT

Warwick



AVAILABLE FINISHES:



Chrome



Polished Nickel



Pewter



Old English Brass

TRADITIONAL MIXER TAP WITH CROSSHEAD LEVER HANDLES