

Technical Specification Sheet

EASY 475

LMY475 / LGY475

Bowl & half granite sink with drainer



REGINOX

Specification

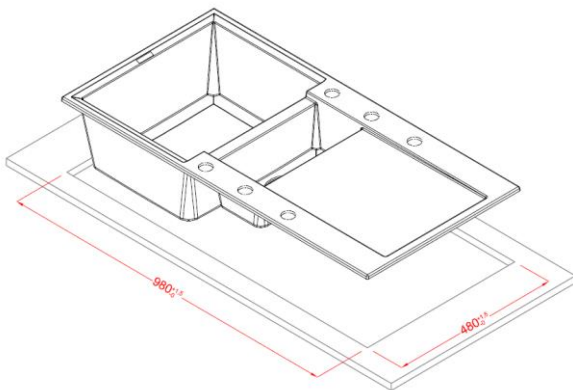
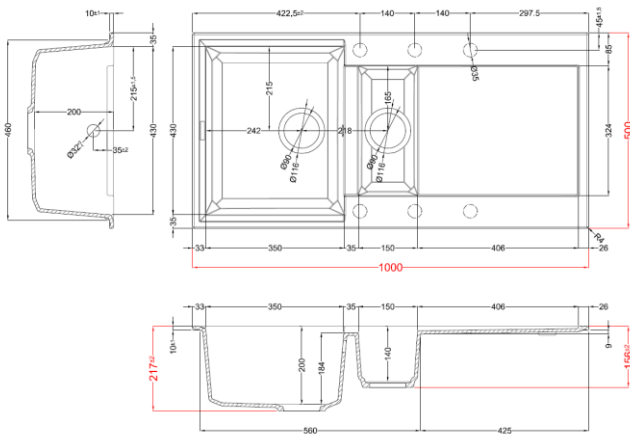
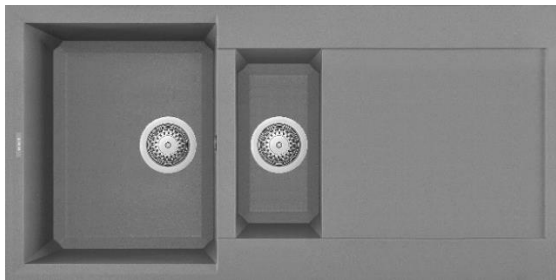
Material	Granitek / Metaltek
Finish	Matt / Metal
Colours	Black / Titanium (Metal) White
No. of bowls	1.5
Fitting Method	Inset Only
Handing Options	Reversible
Cabinet Size (mm)	600
Overall Length (mm)	1000
Overall Width (mm)	500
Main Bowl Length (mm)	350
Main Bowl Width (mm)	430
Main Bowl Depth (mm)	200
Second Bowl Length (mm)	150
Second Bowl Width (mm)	324
Second Bowl Depth (mm)	140
Tap Hole Size (mm)	35 (Pre-drilled under sink)
Tap Hole Instructions	Drill out using diamond core drill piece
Waste Kit Included (Yes/No)	Yes
Clips & Seals Included (Yes/No)	Yes
Waste Size (mm)	90
Waste Kit Code	
Clips & Seals Code	N/A
Overflow Location	In main bowl
Cut Out Length (mm)	980
Cut Out Width (mm)	480
Product Weight (kg)	
Packed Weight (kg)	
Packed Dimensions (mm)	1055 x 560 x 290
EAN number	Black - 8032557111474 Titanium - 8031873110208 White - 8032557035480

Warranty

10 Year warranty on the sink only | Serviceable Parts/waste kit etc is 1 year

Care & Maintenance

Use warm soapy water to clean/maintain sink | Elleci Daily Clean spray & Antiscale products are available for deeper cleans | Never use any abrasive chemicals/cleaning products on the surface of the sink as this will invalidate the warranty if used.



REGINOX UK LTD Units 1-4 Radnor Park Trading Estate, Back Lane, Congleton, Cheshire, CW12 4XJ

www.reginox.co.uk | 01260 280033 | sales@reginox.co.uk

