

**Series 2, Built-in microwave oven,
Stainless steel
BFL523MS3B**



A great partner for the kitchen, the built-in compact microwave defrosts, heats and cooks helping you prepare food in the kitchen.

- **AutoPilot 7:** every dish is a perfect success thanks to 7 pre-set automatic programmes.
- **Red LED display control:** easy-to-use thanks to the time functions.
- **Cleaning Assistance:** less cleaning effort thanks to the new cleaning option, which can be especially used for cleaning of light soiling.
- **LED lighting:** perfect illumination of foods with minimum energy consumption.
- **QuickStart:** heat up your food with just a touch of one button.

Technical Data

Type of micro-wave oven : MW only
Type of control : Electronic
Color / Material Front : Stainless steel
Dimensions : 382 x 495 x 335 mm
Cavity dimensions : 180 x 280 x 300 mm
Length of electrical supply cord : 130 cm
Net weight : 14.0 kg
Gross weight : 16.6 kg
EAN code : 4242005291267
Maximum micro-wave power : 800 W
Connection rating : 1270 W
Fuse protection : 10 A
Voltage : 230-240 V
Frequency : 50 Hz
Plug type : GB plug
Cavity dimensions : 180 x 280 x 300 mm



4 242005 291267

Series 2, Built-in microwave oven, Stainless steel BFL523MS3B

A great partner for the kitchen, the built-in compact microwave defrosts, heats and cooks helping you prepare food in the kitchen.

Design

- LED Display, red display
- Electronic clock timer
- Rotary dial, Membrane keys, Start button
- User-friendly electronics: extremely easy and comfortable operation
- Cavity inner surface: lacquered grey
- Cavity volume: 20 l
- LED light
- Side opening door, left hinged

Features

- 27 cm Glass turntable
- AutoPilot, 7
- Open door button
- Favourite button for individual settings (1 setting)
- Control panel lock
- Automatic safety switch off Door contact switch
- Integral cooling fan

Cleaning

- hydrolyse program

Programmes/functions

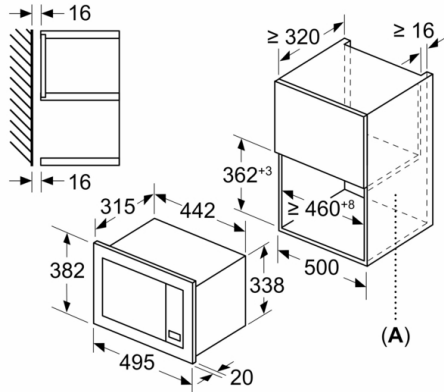
- Maximum microwave power level: 800 W and the following options 180 W, 360 W, 600 W, 800 W, 90 W
- 4 defrost and 3 cooking programmes in microwave function
- Quick Start Button: one tap to maximum microwave power for 30 seconds

Performance/technical information

- Total connected load electric: 1.27 KW
- Nominal voltage: 230 - 240 V
- 130 cm Cable length
- For installation into a 50 cm wide wall unit (min. 30 cm deep)
- Appliance dimension (hwxwd): 382 mm x 495 mm x 335 mm
- Niche dimension (hwxwd): 362 mm - 365 mm x 460 mm - 468 mm x 320 mm
- Please refer to the dimensions provided in the installation manual

Series 2, Built-in microwave oven, Stainless steel
BFL523MS3B

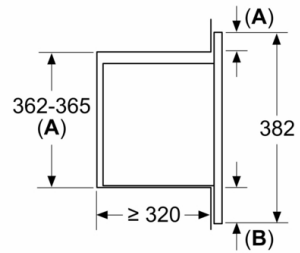
measurements in mm



A: Back panel open

measurements in mm

Installation of a 20 l microwave in a wall cabinet



- A: Overhang at top:
 Recess 362: 6 mm
 Recess 365: 3 mm
 B: Overhang at bottom: 14 mm