

Induction - Domino
2-zone 38 cm
Glass

EAN 5414425037629



Cooking Zones

- 2-zone
- Front center : 2100/3700 W - 240x200 mm
- Rear center : 2100/3700 W - 240x200 mm

Functions & features

- | | |
|-----------------------------|------------------|
| ▪ Bridge function | 1 |
| ▪ Grill function | - |
| ▪ Automatic pan recognition | ▪ |
| ▪ Keep warm function (°C) | 42°C, 70°C, 94°C |
| ▪ Residual heat indication | ▪ |
| ▪ Childproof lock | ▪ |
| ▪ Pause function | ▪ |
| ▪ Timers | Timer per Zone |

Design

- | | |
|----------------------|----------------------|
| ▪ Control method | Slider touch control |
| ▪ Info display color | Red |
| ▪ Glass edge | Bevelled |
| ▪ Mounting method | Surface, Flushline |

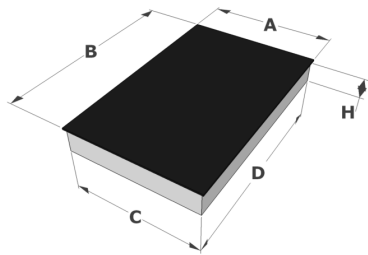
Dimensions

- | | |
|-----------------------------------|----------------|
| ▪ Product dimensions (WxDxH) (mm) | 380 x 520 x 50 |
| ▪ Cut-out worktop (WxD) (mm) | 350 x 490 |

Technical specifications

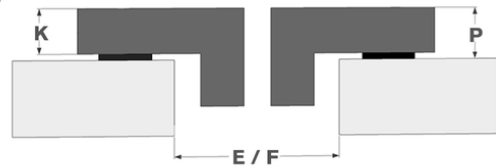
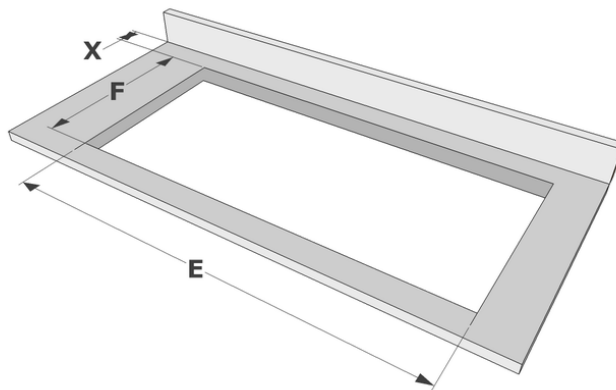
- | | |
|-------------------------|------------------------------|
| ▪ Maximum power | 3700 |
| ▪ Electrical connection | 220-240V 1L+N
220-240V 2L |
| ▪ Frequency (Hz) | 50-60 |
| ▪ Net weight (kg) | 4 |

Dimensions



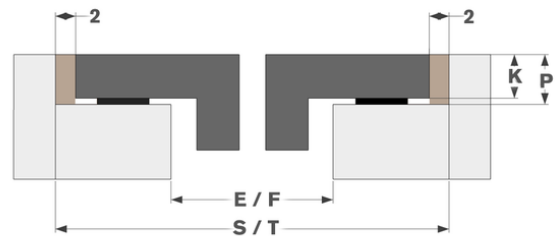
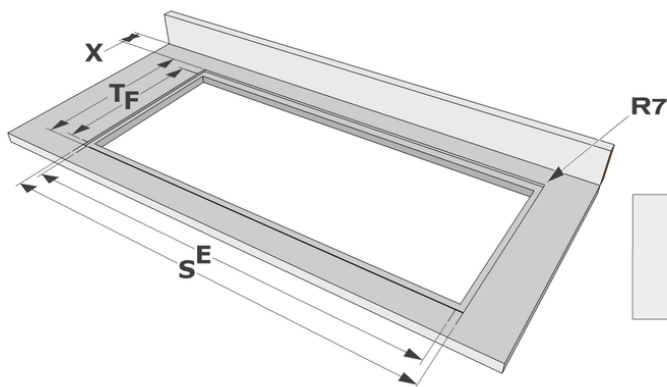
	A	B	C	D	H
mm	380	520	350	490	50

Surface



	E	F	K	P	X
mm	350	490	4	6	50

Flushline



	E	F	S	T	K	P	X
mm	350	490	384	524	4	6	50