

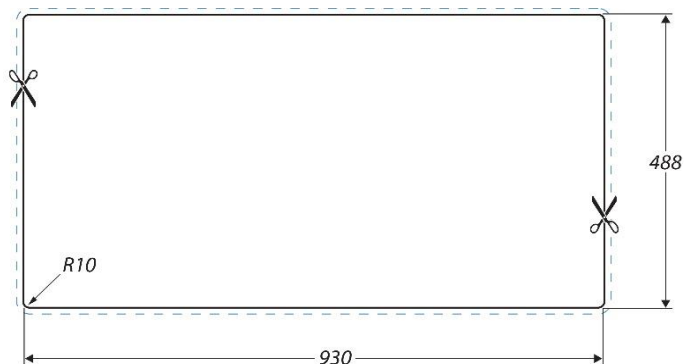
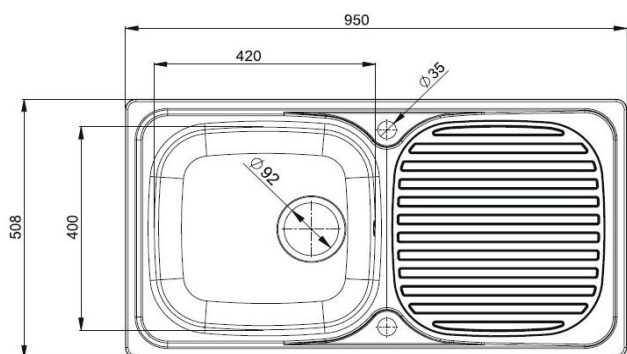
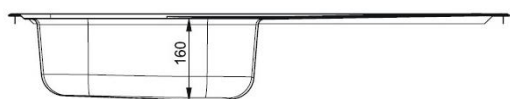
# Technical Specification Sheet

## OULTON 1.0

(MD100L)



### Specification



|                                 |                 |
|---------------------------------|-----------------|
| Material                        | Stainless Steel |
| Finish                          | Satin           |
| Colour                          |                 |
| Gauge                           | 0.7             |
| Welded/Pressed                  | Pressed         |
| No. of bowls                    | 1.5             |
| Fitting Method                  | Inset           |
| Handing Options                 | Reversible      |
| Cabinet Size (mm)               | 600             |
| Overall Length (mm)             | 950             |
| Overall Width (mm)              | 508             |
| Main Bowl Length (mm)           | 420             |
| Main Bowl Width (mm)            | 400             |
| Main Bowl Depth (mm)            | 160             |
| Second Bowl Length (mm)         |                 |
| Second Bowl Width (mm)          |                 |
| Second Bowl Depth (mm)          |                 |
| Tap Hole Size (mm)              | 2 x 35          |
| Waste Kit Included (Yes/No)     | Yes             |
| Clips & Seals Included (Yes/No) | Yes             |
| Waste Size (mm)                 | 1 x 92 BSW      |
| Waste Kit Code                  | UKH051          |
| Clips & Seals Code              |                 |
| Overflow Location               | In main bowl    |
| Cut Out Length (mm)             | 930             |
| Cut Out Width (mm)              | 488             |
| Product Weight (kg)             | 4.08            |
| Packed Weight (kg)              |                 |
| Packed Dimensions (mm)          |                 |
| EAN number                      | 5015834052427   |

### Warranty

Lifetime on manufacturing | 1 years serviceable parts warranty (waste kit, clips & seals)

### Care & Maintenance

Clean with warm soapy water only | You can use the Reginox INOX care cream to help maintain the steel finish | Avoid using anything abrasive on sink surface as will void the warranty