



## SASO20/16 WORKTOP SINK



### PRODUCT CODE

SASO20/16/BS

### FINISH AVAILABLE

 Black Steel

### FEATURES

- 1.2mm brushed stainless steel
- No tap facility
- 90mm waste outlet for a basket strainer waste
- Suitable for a waste disposer
- Waste and overflow included

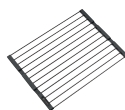
### PLUMBING OPTION

- Plumbing kit CPK100

### ACCESSORY OPTIONS

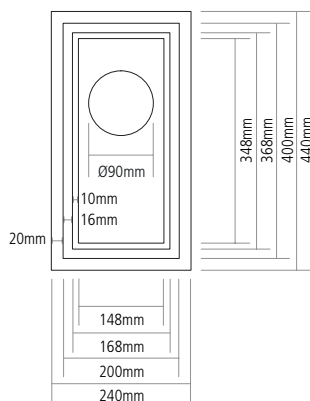


Roweca anthracite chopping board  
VACB

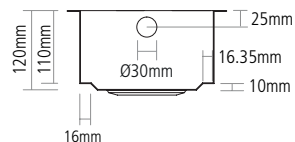


Black steel foldmat  
FMAT/BS

### ← DIMENSIONS



### ← SIDE VIEW



**BOWL DEPTH:** 120MM

**MIN. BASE UNIT:** 300MM

**UNDERMOUNT CUT-OUT SIZE:** See installation guide

## Features



### EASY ACCESS

Slanted bowl edges to aid the cleaning process, making every corner easy to access.

### SMOOTH TRANSITION

The waterfall worktop lines the side of the sink bowl, revealing only the base and the overflow for a truly minimalist look. An installation that's even more discreet than traditional undermounted sinks.