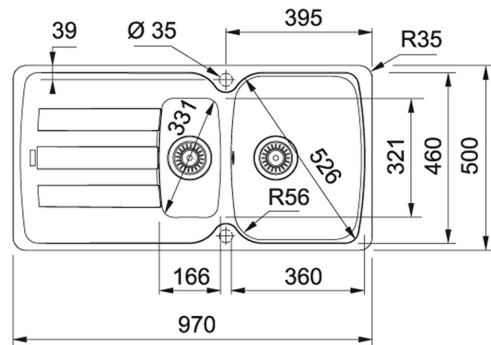


# Fragranite Onyx | 114.0532.314

FAMILY : Sinks | SERIES : Antea | MODEL : AZG 651-97 | FINISH : Fragranite Onyx | INSTALLATION TYPE : Inset



## TECHNICAL DATA

Cabinet Size	600.00 mm
Length Overall	970.00 mm
Width Overall	500.00 mm
Length of large bowl	360.00 mm
Width of large bowl	460.00 mm
Depth of large bowl	210.00 mm
Position of Drainer	Reversible
Length of small bowl	166.00 mm
Width of small bowl	321.00 mm
Depth of small bowl	115.00 mm
Cutout Length	954.00 mm
Cutout Width	484.00 mm
Cut-Out Template	No
Cutout radius	R: 20 mm
Price	£419.00

FAMILY : Sinks | SERIES : Antea | MODEL : AZG 651-97 | FINISH : Fragranite Onyx | INSTALLATION TYPE : Inset

---

**SUGGESTED PRODUCTS**

---



---

115.0311.211

---



---

115.0311.215

---



---

134.0473.235

---



---

112.0059.946

---