

**Serie | 6, Built-in oven, 60 x 60 cm,
Black
HBG579BB6B**



**The built-in oven with AutoPilot:
automatically prepares perfect dishes.**

- **3D Hotair:** even heat distribution for perfect results on up to three levels.
- **AutoPilot 40:** every dish is a perfect success thanks to 40 pre-set automatic programmes.
- **Pop-out controls:** Make the front of the oven easy to clean and give it a sleek look.
- **Pyrolytic self-cleaning:** Automatically cleans the oven, just wipe out the ash.
- **Cleaning Assistance:** less cleaning effort thanks to the new cleaning option, which can be especially used for cleaning of light soiling.

Technical Data

Color / Material Front : Black
 Construction type : Built-in
 Integrated Cleaning system : Pyrolytic+Hydrolytic
 Required niche size for installation (HxWxD) : 585-595 x 560-568 x 550 mm
 Dimensions : 595 x 594 x 548 mm
 Dimensions of the packed product (HxWxD) : 675 x 690 x 660 mm
 Control Panel Material : Glass
 Door Material : Glass
 Net weight : 37.6 kg
 Usable volume of cavity : 71 l
 Cooking method : Bottom heat, Conventional heat, Defrost, Full width grill, Half width grill, Hot Air, Hotair gentle, Hot air grilling, Intensive heat, low temperature cooking, Pizza setting, pre-heating, warming
 First cavity material : Other
 Oven control : electronic
 Number of interior lights : 1
 Approval certificates : CE, VDE
 Length of electrical supply cord : 120 cm
 EAN code : 4242005343898
 Number of cavities (2010/30/EC) : 1
 Energy efficiency rating : A
 Energy consumption per cycle conventional (2010/30/EC) : 0.99 kWh/cycle
 Energy consumption per cycle forced air convection (2010/30/EC) : 0.81 kWh/cycle
 Energy efficiency index (2010/30/EC) : 95.3 %
 Connection rating : 2990 W
 Fuse protection : 13 A
 Voltage : 220-240 V
 Frequency : 50; 60 Hz
 Plug type : no plug

Included accessories

2 x combination grid
 1 x universal pan

Optional accessories

HEZ530000 : Half tray
 HEZ531000 : Baking tray, grey enamelled
 HEZ531010 : Baking tray, non-stick ceramic coated
 HEZ538000 : 1fold telescopic rail, level independent
 HEZ634000 : Baking and roasting grid (standard)
 HEZ636000 : Glass pan
 HEZ638300 : 3 level telescopic rails, full ext
 HEZ915003 : Glass roasting dish, 5,4 L



Serie | 6, Built-in oven, 60 x 60 cm, Black HBG579BB6B

The built-in oven with AutoPilot: automatically prepares perfect dishes.

Features

- Oven with 13 cooking functions: heating methods: 3D Hotair, conventional top and bottom heat, Hotair grilling, full width variable grill, half width grill, pizza function, bottom heat, intensive heat, low temperature cooking, defrost, plate warming, keep warm, Hotair gentle
- Temperature range 30 °C - 275 °C
- Cavity volume: 71 litre capacity

Level independent telescopic rails

- 5 shelf positions
- Available as an additional accessory

Design

- Rotary dial, Retractable control dials, round
- Extra large capacity oven with grey enamel

Cleaning

- Pyrolytic self-cleaning function
- Cleaning Assistance: hydrolyse manual
- Full glass inner door

Programmes/functions

- BE54
- Electronic clock timer
- Digital temperature display with proposal
Actual temperature display
Heating-up indicator
AutoPilot
Automatic start
- AutoPilot, 40
- Drop down door, SoftClose, SoftOpen
- Straight bar handle
- Automatic programmes
- Fast pre-heating function
- Interior halogen light, Light on/off when oven door opened/
closed
- Integral cooling fan
- Info button
- Home Connect ready

Accessories

- 2 x combination grid, 1 x universal pan

Features

- Maximum window temperature 30° C
- Low door temperature during pyrolytic cleaning
- Electronic door lock
Control panel lock
Automatic safety switch off
Residual heat indicator
Door contact switch

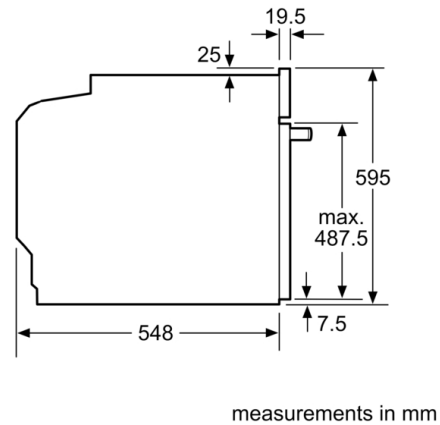
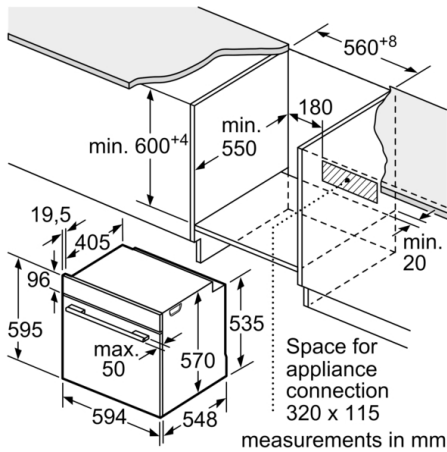
Technical information

- 120 cm Cable length
- Nominal voltage: 220 - 240 V
- Total connected load electric: 2.99 KW
- Energy efficiency rating (acc. EU Nr. 65/2014): A
Energy consumption per cycle in conventional mode: 0.99 kWh
Energy consumption per cycle in fan-forced convection mode: 0.81 kWh
Number of cavities: Main cavity
Heat source: electrical
Cavity volume: 71 litre capacity

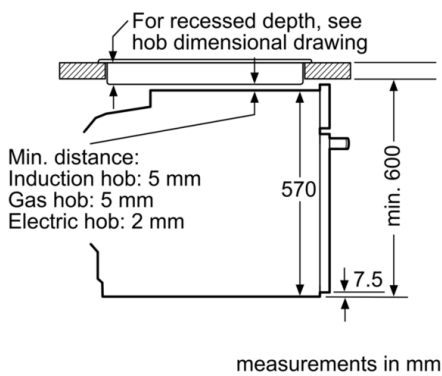
Performance/technical information

- Appliance dimension (hxwxh): 595 mm x 594 mm x 548 mm
- Niche dimension (hxwxh): 585 mm - 595 mm x 560 mm - 568 mm x 550 mm
- Please refer to the dimensions provided in the installation manual
- We recommend you to choose complementary products within SER6, in order to assure an optimal design combination of your Built-In appliances.

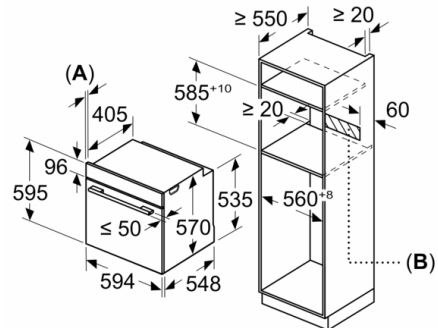
**Serie | 6, Built-in oven, 60 x 60 cm, Black
HBG579BB6B**



Installation with a hob.



Measurements in mm



A: 19.5 mm
B: Space for appliance connection 320 x 115 mm