

Technical Specification Sheet

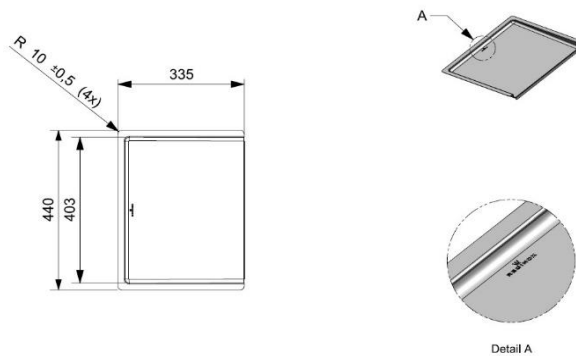
ASPEN (R36044)

Stainless steel drainer accessory



Specification

Material	Stainless Steel
Finish	Polished
Gauge	0.9
Welded/Pressed	Pressed
Fitting Method	Counter Top
Overall Length (mm)	335
Overall Width (mm)	440
Overall Depth (mm)	23
Product Weight (kg)	1
Packed Weight (kg)	1.4
Packed Dimensions (mm)	333x447x45
EAN number	8712465036044



Afdruipplaat Aspen

Date: 21-02-2022

Tolerantie buitenmaat per zijde: ± 0.5mm
Toleranz Aussemasse pro Seite: ± 0.5mm
Per side the outside tolerance measure: ± 0.5mm

Warranty

1 Year warranty

Care & Maintenance

Clean with warm soapy water only | You can use the Reginox INOX care cream to help maintain the steel finish | Avoid using anything abrasive on the drainer surface as this will void the warranty