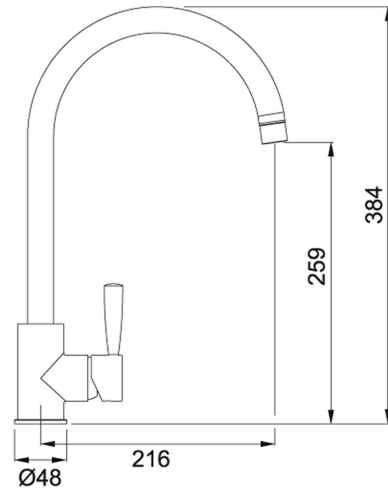


Fuji | 115.0250.327

FAMILY : Taps | SERIES : Fuji | INSTALLATION TYPE : Sink/Worktop | MODEL : Fuji | FINISH : Decor Steel



NB: FROM APRIL 2022 SILKSTEEL FINISH IS KNOWN AS DECOR STEEL

TECHNICAL DATA

Version	Swivel Spout
Handle Width	110.00 mm
Height Overall	390.00 mm
Height to End of Spout	243.00 mm
Spout reach	220.00 mm
Hot Flow Rate at 0.3 bar	2.80 litres/min
Suitable for low pressure system	No
Type	Quarter Turn Ceramic Disc
Price	£397.00