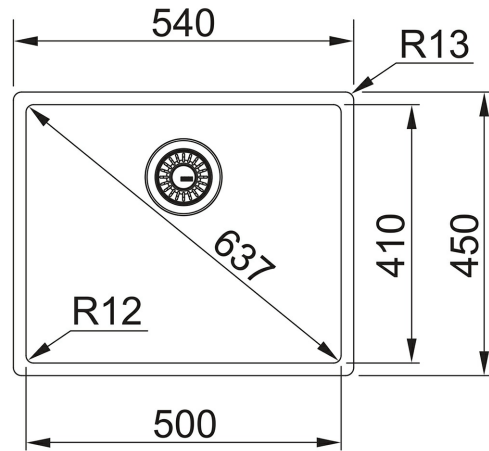


BXX 110 50 Stainless Steel | 127.0369.282

FAMILY : Sinks | SERIES : Franke Box | MODEL : BXX 110 50 | FINISH : Stainless Steel | INSTALLATION TYPE : Undermount | INSTALLATION TYPE : Flushmount | INSTALLATION TYPE : Slim-Top | INSTALLATION TYPE : Active Twist Compatible



The Box BXX range of undermount sinks features a new contemporary Brushed Stainless Steel finish.

Features:

Patented hygienic overflow | Suitable for 600mm cabinet | Compatible with waste disposal unit | 50 year guarantee

TECHNICAL DATA

Cabinet Size	550.00 mm
Length Overall	540.00 mm
Width Overall	450.00 mm
Length of large bowl	500.00 mm
Width of large bowl	410.00 mm
Depth of large bowl	200.00 mm
Cabinet Size	60
Cutout Length	510.00 mm
Cutout Width	420.00 mm
Download Cut-Out Template	Click here
Price	£441.00

FEATURES

Edge profile flushmount	Edge profile slimtop
-------------------------	----------------------

BXX 110 50 Stainless Steel | 127.0369.282

FAMILY : **Sinks** | SERIES : **Franke Box** | MODEL : **BXX 110 50** | FINISH : **Stainless Steel** | INSTALLATION TYPE : **Undermount** | INSTALLATION TYPE : **Flushmount** | INSTALLATION TYPE : **Slim-Top** | INSTALLATION TYPE : **Active Twist Compatible**

SUGGESTED PRODUCTS



115.0433.948



112.0059.946



134.0473.235
