

**Serie | 4, Built-in oven with added steam function, 60 x 60 cm, Stainless steel  
HRS574BS0B**



**Included accessories**

1 x combination grid  
1 x universal pan  
2 x Universal pan  
slim size

**Optional accessories**

HEZ530000 : Half tray  
HEZ531000 : Baking tray, grey enamelled  
HEZ531010 : Baking tray, non-stick ceramic coated  
HEZ538000 : 1fold telescopic rail, level independent  
HEZ634000 : Baking and roasting grid (standard)  
HEZ636000 : Glass pan  
HEZ638300 : 3 level telescopic rails, full ext  
HEZ915003 : Glass roasting dish, 5,4 L

**The built-in oven with added steam: achieve delicious baking results thanks to hotair steam heating mode.**

- **AutoPilot 10:** every dish is a perfect success thanks to 10 pre-set automatic programmes.
- **Red LED display control:** easy-to-use thanks to the time functions.
- **Pop-out controls:** Make the front of the oven easy to clean and give it a sleek look.
- **Pyrolytic self-cleaning:** Automatically cleans the oven, just wipe out the ash.
- **Cleaning Assistance:** less cleaning effort thanks to the new cleaning option, which can be especially used for cleaning of light soiling.

**Technical Data**

Color / Material Front : Stainless steel  
Construction type : Built-in  
Integrated Cleaning system : Pyrolytic+Hydrolytic  
Required niche size for installation (HxWxD) : 585-595 x 560-568 x 550 mm  
Dimensions : 595 x 594 x 548 mm  
Dimensions of the packed product (HxWxD) : 675 x 690 x 660 mm  
Control Panel Material : Stainless steel  
Door Material : Glass  
Net weight : 39.1 kg  
Usable volume of cavity : 71 l  
Cooking method : Bottom heat, Conventional heat, Full width grill, Hot Air, Hotair gentle, Hot air grilling, Pizza setting  
First cavity material : Other  
Oven control : electronic  
Number of interior lights : 1  
Approval certificates : CE, VDE  
Length of electrical supply cord : 120 cm  
EAN code : 4242005294442  
Number of cavities (2010/30/EC) : 1  
Energy efficiency rating : A  
Energy consumption per cycle conventional (2010/30/EC) : 0.99 kWh/cycle  
Energy consumption per cycle forced air convection (2010/30/EC) : 0.81 kWh/cycle  
Energy efficiency index (2010/30/EC) : 95.3 %  
Connection rating : 2990 W  
Fuse protection : 13 A  
Voltage : 220-240 V  
Frequency : 50; 60 Hz  
Plug type : no plug



## Serie | 4, Built-in oven with added steam function, 60 x 60 cm, Stainless steel HRS574BS0B

**The built-in oven with added steam: achieve delicious baking results thanks to hotair steam heating mode.**

### Design

- Rotary dial, Retractable control dials, round
- LED-display control (red)
- Extra large capacity oven with grey enamel
- Electronic clock timer
- Straight bar handle
- Interior halogen light, Light on/off when oven door opened/closed
- Integral cooling fan
- Low door temperature during pyrolytic cleaning

### Features

- Electronic door lock  
Control panel lock Automatic safety switch off
- Heating-up indicator  
AutoPilot Automatic start
- Water bowl with a volume of 250 ml
- AutoPilot, 10
- Automatic programmes
- Temperature range 50 °C - 275 °C
- Cavity volume: 71 litre capacity
- 5 shelf positions

### Cleaning

- Pyrolytic self-cleaning function
- Cleaning Assistance: hydrolyse manual
- Full glass inner door

### Programmes/functions

- Oven with 8 heating methods: 3D Hotair, conventional top and bottom heat, Hotair grilling, full width variable grill, pizza function, bottom heat, Hotair gentle, hot air and steam combined
- Fast pre-heating function

### Accessories

- 1 x combination grid, 1 x universal pan, 2 x Universal pan, slim size

### Technical information

- 120 cm Cable length
- Nominal voltage: 220 - 240 V
- Total connected load electric: 2.99 KW
- Energy efficiency rating (acc. EU Nr. 65/2014): A  
Energy consumption per cycle in conventional mode:0.99 kWh  
Energy consumption per cycle in fan-forced convection mode:0.81 kWh  
Number of cavities: Main cavity Heat source: electrical Cavity volume:71 litre capacity

### Performance/technical information

- Appliance dimension (hwxwd): 595 mm x 594 mm x 548 mm
- Niche dimension (hwxwd): 585 mm - 595 mm x 560 mm - 568 mm x 550 mm
- Please refer to the dimensions provided in the installation manual
- We recommend you to choose complementary products within SER4, in order to assure an optimal design combination of your Built-In appliances.

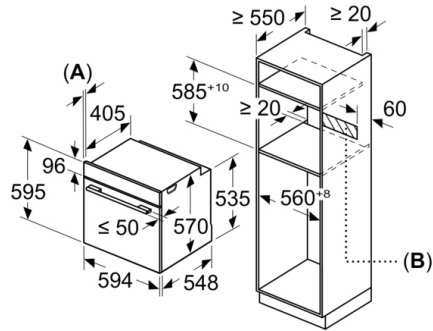
### Level independent telescopic rails

- Available as an additional accessory

### Features

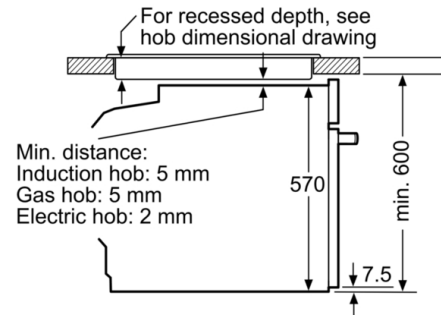
**Serie | 4, Built-in oven with added steam function, 60 x 60 cm, Stainless steel HRS574BS0B**

Measurements in mm

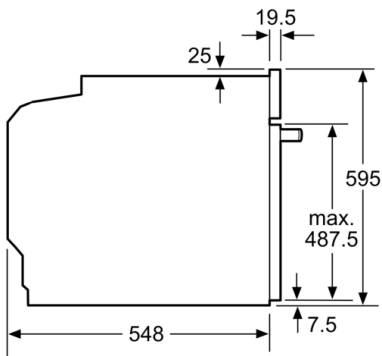


- A: 19.5 mm
- B: Space for appliance connection 320 x 115 mm

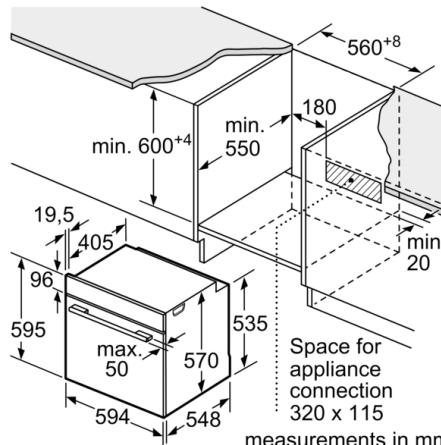
Installation with a hob.



measurements in mm



measurements in mm



measurements in mm