

**Serie | 2, Built-in fridge-freezer with freezer at bottom, 177.2 x 54.1 cm, sliding hinge  
KIV87NSF0G**



**Included accessories**

3 x egg tray  
1 x ice cube tray



**The spacious built-in fridge-freezer combination with LowFrost provides optimal food storage and ice formation is significantly reduced.**

- **MultiBox XXL:** extra-large drawer for your fruit and vegetables.
- **EcoAirflow:** optimal air circulation and a constant temperature level in the cooling area.
- **LowFrost:** defrost less often thanks to lower ice formation - saves work and is energy-efficient.
- **BigBox frozen food drawer:** for stacking storage containers or for large frozen food items.
- LED lights bring a completely new lighting concept to fridges

**Technical Data**

Energy Efficiency Class: F

Average annual energy consumption in kilowatt hour per year (kWh/a): 270 kWh/annum

Sum of volume of frozen compartments: 70 l

Sum of volume of chill compartments: 200 l

Airborne acoustical noise emissions : 39 dB(A) re 1 pW

Airborne acoustical noise emission class: C

Construction type: Built-in

Door panel options: Not possible

Width of the appliance: 541 mm

Depth of the product: 548 mm

Required niche size for installation (HxWxD): 1775.0 x 560 x 550 mm

Net weight: 51.193 kg

Fuse protection: 10 A

Door hinge: Right reversible

Voltage: 220-240 V

Frequency: 50 Hz

Approval certificates: CE, VDE

Length of electrical supply cord: 230 cm

Storage Period in Event of Power Failure (h): 12 h

Number of compressors: 1

Number of independent cooling systems: 1

Interior ventilator: No

Reversible Door Hinge: Yes

Number of Adjustable Shelves in fridge compartment (Stck): 4

Shelves for Bottles: No

Frost free system: No

Installation type: Full-integrated

Type of hinge: Follow-door



4 242005 232956

## Serie | 2, Built-in fridge-freezer with freezer at bottom, 177.2 x 54.1 cm, sliding hinge KIV87NSF0G

**The spacious built-in fridge-freezer combination with LowFrost provides optimal food storage and ice formation is significantly reduced.**

### Performance and Consumption

- EU19\_EEK\_D: F
- Total Volume : 270 l
- Net Fridge Volume : 200 l
- Net Freezer Volume : 70 l
- Freezing capacity 24h : 3.2 kg
- Annual Energy Consumption: 270 kWh/a
- Climate Class: SN-ST
- Noise Level : 39 dB , EU19\_Noise emission class\_D: C
- Temperature rise time : EU19\_Temperature rise time\_D: 12 H

- easy Installation

### Functions

- Bright interior LED fridge light

### Design features

- LED electronic control
- Super Cooling: No
- SuperFreezing function with automatic deactivation
- Acoustic alarm

### Design features

- 5 safety glass shelves in fridge compartment of which 4 are height adjustable
- 1 removable door storage compartments.
- 4 door bins

### Freshness System

- 1 MultiBox - Transparent drawer with a rippled bottom, ideal for storing fruits and vegetables.

### Food freshness system

- LowFrost - less ice creation and therefore quicker defrosting
- 2 transparent freezer drawers, including 1 BigBox

### Dimension and installation

- Dimensions: 177.2 cm H x 54.1 cm W x 54.8 cm D
- Niche Dimensions: 177.5 cm H x 56 cm W x 55 cm D

### Key features - Fridge section

- Right hinged door, door reversible
- 220 - 240 V

### Key features - Freezer section

- 3 x egg tray, 1 x ice cube tray

### Country Specific Options

- Based on the results of the standard 24-hour test. Actual consumption depends on usage/position of the appliance.

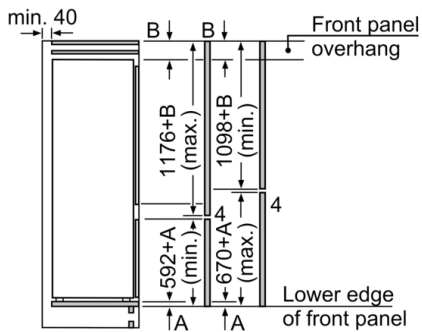
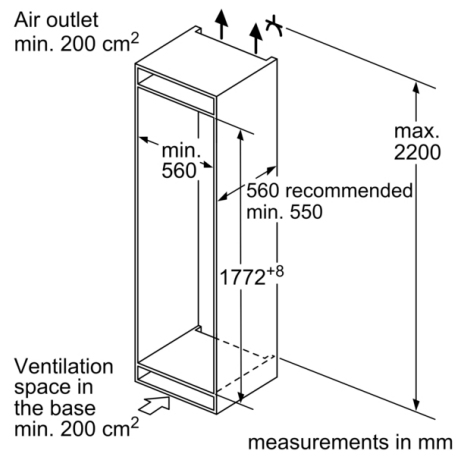
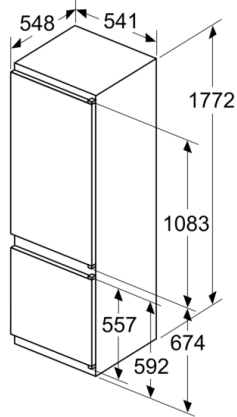
### Design features

### Dimension and installation

### Additional features

**Serie | 2, Built-in fridge-freezer with freezer at bottom, 177.2 x 54.1 cm, sliding hinge KIV87NSF0G**

measurements in mm



The specified unit door dimensions are valid for a door gap of 4 mm.

measurements in mm