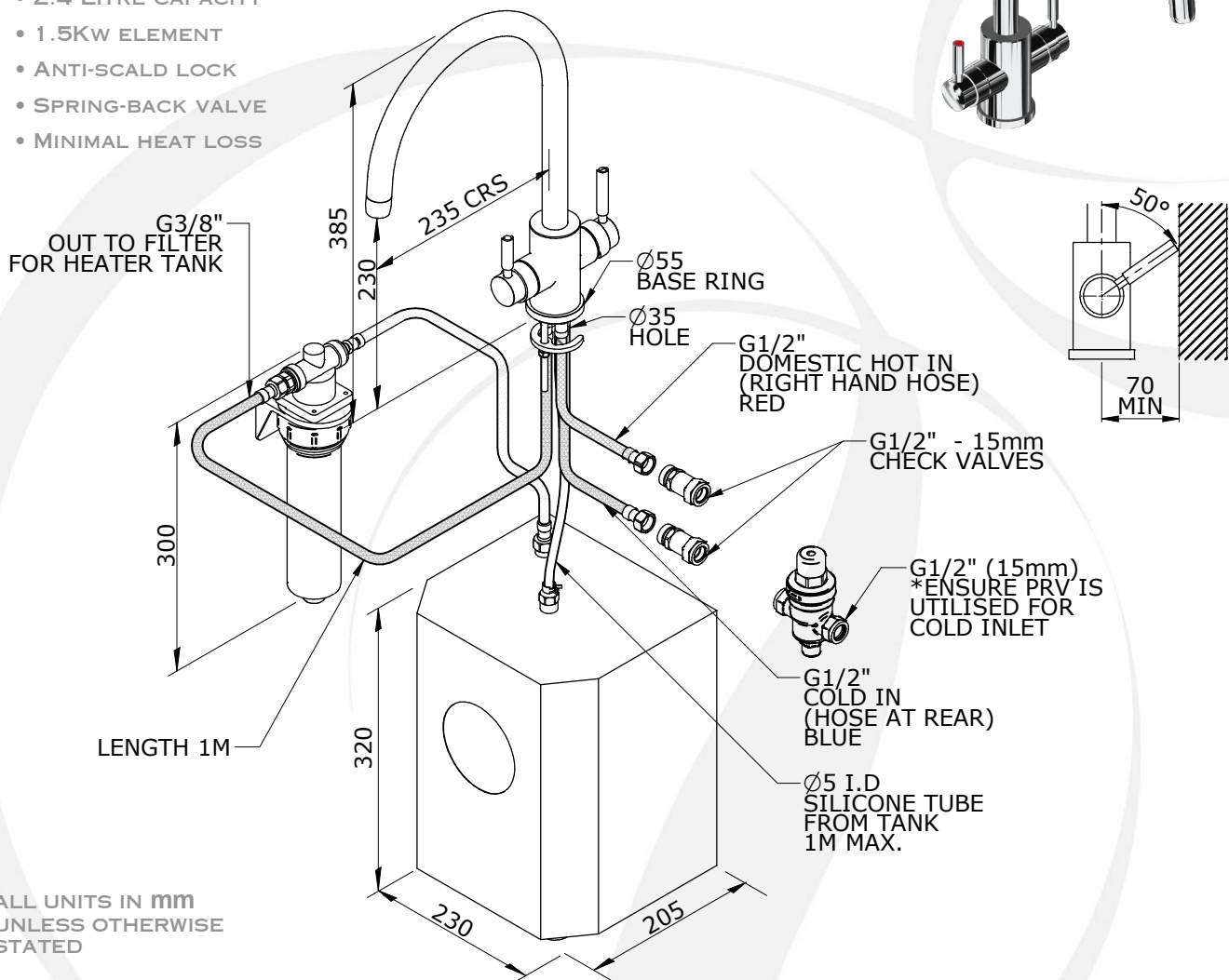


# • SPECIFICATION •

## • 1912 - PHOENIX (3-IN-1) INSTANT HOT SINK MIXER C SPOUT

- IDEALLY INSTALLED IN EQUAL PRESSURE SYSTEMS
- OPEN VENTED SYSTEM
- DIGITAL TEMPERATURE CONTROL ACCURATE TO 0.5°C
- MULTIPLE PRE-SET TEMPERATURES RANGING FROM 75°C TO 98°C
- HIGH QUALITY NANO FILTRATION TECHNOLOGY WITH LIMESCALE REDUCTION
- 2.4 LITRE CAPACITY
- 1.5KW ELEMENT
- ANTI-SCALD LOCK
- SPRING-BACK VALVE
- MINIMAL HEAT LOSS



ALL UNITS IN mm  
UNLESS OTHERWISE  
STATED

### AVAILABLE FINISHES:

- CHROME
- NICKEL
- PEWTER
- GOLD
- ENGLISH BRONZE
- POLISHED BRASS
- SATIN BRASS
- AGED BRASS

INLET TEMP RANGE:  
MIN 1°C / 34°F  
MAX 70°C / 158°F

RECOMMENDED  
WORKING PRESSURE:  
MIN 1.5BAR / 22PSI  
MAX 3BAR / 43.5PSI

### AVAILABLE OPTIONS:

- 6.6L/MIN REGULATED SPOUT (PREFIX AR.)
- U SPOUT VERSION
- RINSE VERSION
- MATCHING SOAP DISPENSER

### FLOW RATES:

- 1 BAR: 5.0 L/MIN
- 2 BAR: 7.6 L/MIN
- 3 BAR: 9.2 L/MIN