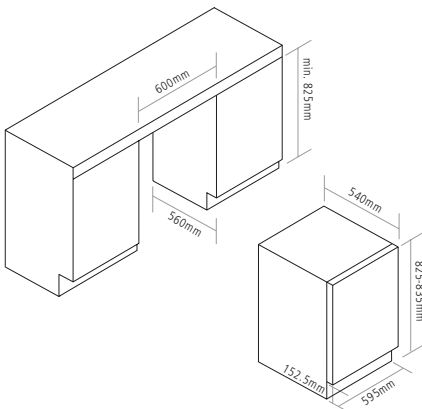




FULLY INTEGRATED WASHING MACHINE



DIMENSIONS



PRODUCT CODE

WMI3006

DIMENSIONS

↔ w:600mm

PERFORMANCE

e Energy class B
 Noise Class B
 Spin efficiency B
 Max. spin speed 1400rpm
 Water consumption per cycle
 48Litres
 Energy consumption per
 100cycles 55kWh
 Max. noise level 76dB

FINISH AVAILABLE

White

PROGRAMMES

16 Programmes

15min quick wash
 Rapid 45
 20°C
 Jeans
 Eco 40-60
 Intensive
 Rinse & spin
 Spin Only
 Baby Care
 Wool
 Delicate
 Mixed
 Synthetics
 Sports
 Cotton
 My cycle

6 Options

Delay timer [up to 24hrs]
 Pause
 Spin speed selection
 Temperature selection
 Pre wash
 Extra rinse

FEATURES

- Child lock
- Alarm On/Off
- Memory function
- Cold fill
- 15mins fast wash
- Digital display
- 300mm large door
- Door safety lock
- Programme time remaining
- Variable spin speed
- Stainless steel Diamond+ drum
- Anti-overflow protection

CAPACITY

- 8kg washing capacity

INSTALLATION

- Rated load 1.95kW
- Fuse rating 10A