



**Product features:**

- Metal construction throughout
- Quarter turn handle action for precise flow control
- Custom designed for lower range pressures
- Fixed spout to prevent accidental water damage
- Adjustable to suit various thickness of wall

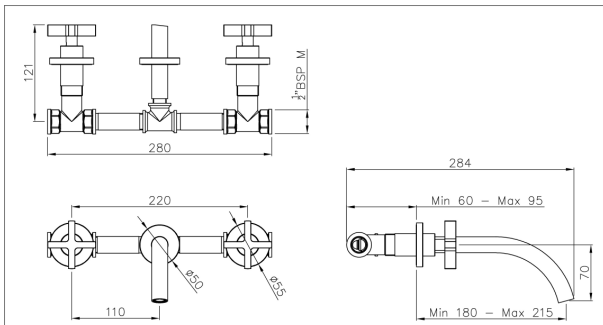
**Packaged properties:**

Box length (mm): 415      Box depth(mm): 95  
Box width(mm): 180      Boxed weight (Kg): 3.20

Includes pop up waste?: No

Additional comments:

**Product dimensions:**



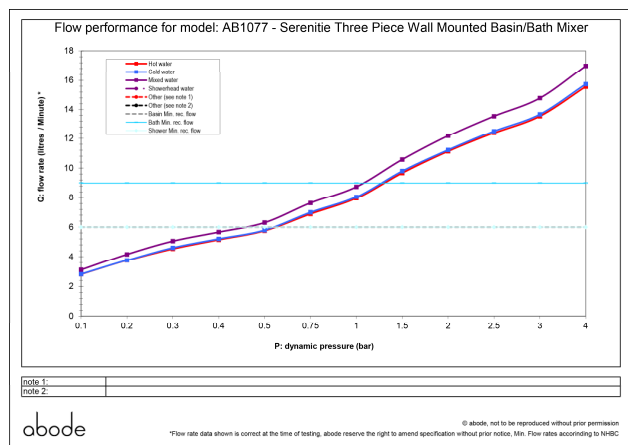
Serenitie  
wall mounted  
3 part Bath/Basin mixer

AB1077 v1  
abode  
(c) abode home products to www.abode.eu  
our policy is to continually improve and develop products, and accordingly we reserve the right to amend specifications without prior notice.

- Product mounted where: Wall
- Recommended hole size: 28, 20, 28 mm
- Overall Height / projection: 284 mm
- Exit reach: 180-215 mm
- Exit height: 70 mm
- Base size: 55, 50, 55 mm
- Inlet centre distance(s): 220 mm

- Min. fitting depth required: 60 - 195 mm N/A mm
- Max. surface depth:

**Product flow characteristics:**



- Min / Max water pressure (bar): 0.50\* / 5.00
- Part G max. mixed flow rate at 3 bar (l/m): 14.78
- Inlet connection type / length: Fixed / mm
- Inlet (plumbing connection) / outlet size: 1/2" F /
- Product flow characteristics: Single flow  
Non return valve(s) supplied or position: N/A
- Aerator type: Cache TT
- Control valve type: 1/2" QT CD (6-20)
- Includes output diverter?: No
- Inlet meshed particle filters included: N/A
- Shower hose type / length: N/A / N/A

**Warranty Summary** (full details available on request):

- Materials and workmanship defects warranted for 5 years
- Valves and working parts warranted for 5 years
- Surface warranty defects warranted for 1 year
- O-rings, hoses & gaskets warranted for 1 year

**Care instructions:**

- Clean the mixers and showers regularly as required, using soap, do not use any other cleaners.
- Regular cleaning will prevent the build-up of lime scale and dirt
- After cleaning rinse thoroughly with clean water to remove any cleaner residue
- Residues of liquid soaps, shampoos and shower foams can also cause damage, so rinse with clean water after using, avoid contact with any abrasives