



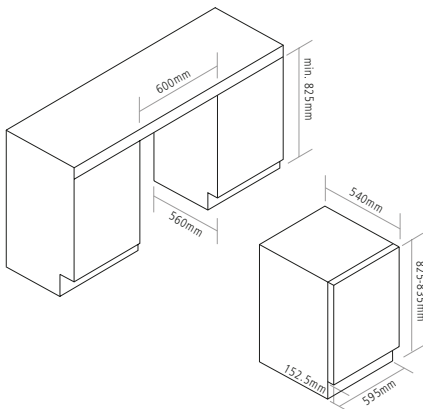
CAPLE CARE

FREE 2 YEAR
PARTS & LABOUR
GUARANTEE

FULLY INTEGRATED WASHER DRYER



DIMENSIONS



PRODUCT CODE

WDi3301

DIMENSIONS

w:600mm

PERFORMANCE

- e** Wash class B
- Wash and dry class E
- Spin efficiency class B
- Max. spin speed 1400rpm
- Noise class B
- Energy consumption per 100 wash cycles 55kWh
- Energy consumption per 100 wash and dry cycles 360kWh
- Water consumption of wash cycle 48litres
- Water consumption of wash and dry cycle 90litres
- Max. noise level 76dB

FINISH AVAILABLE

 White

PROGRAMMES

16 Programmes

- ECO 40-60
- 20°C
- Quick
- Intensive
- Cotton
- Jeans
- Baby Care
- Sports
- 1 hour wash & dry
- Wash and Dry
- Mixed

- Wool
- Dry Only
- Rinse and Spin
- Spin
- My Cycle

5 Options

- Delay timer [24hrs]
- Pause
- Spin speed selection
- Temperature selection
- Dry level

FEATURES

- Child lock
- Alarm On/Off
- Memory function
- Cold fill
- White LED display
- Electronic controls
- 310mm extra large door
- Door safety lock
- Programme time remaining
- Variable spin speed
- Automatic variable load
- Stainless steel Diamond+ drum
- Anti-overflow protection
- Pause function
- 1.5m power cord

CAPACITY

- 8kg washing, 6kg drying

INSTALLATION

- Rated load 1.9kW
- Fuse rating 10A