

**Serie | 6, Semi-integrated dishwasher,
60 cm, Stainless steel
SMI68MS06G**



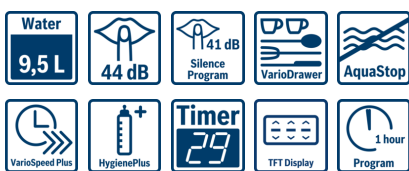
A++

Enjoy a peaceful kitchen. Our especially quiet SuperSilence dishwasher. Even quieter when running the Silence program.

- **ExtraDry:** extra drying option for difficult-to-dry loads.
- **Silence Program and SuperSilence:** remarkably quiet at 44dB, more so with the Silence program.
- **Glass 40°C:** protective program for gently cleaning and drying glasses.
- **VarioFlex baskets with touchpoints and VarioDrawer:** enhanced re-adjusting options, highlighted in red.
- **LED Display:** easy program selection with display of remaining time, rinse aid and salt refill status.

Technical Data

| | |
|--|------------------------------|
| Water consumption (l) : | 9.5 |
| Construction type : | Built-in |
| Height of removable worktop (mm) : | 0 |
| Required niche size for installation (HxWxD) : | 815-875 x 600 x 550 |
| Depth with open door 90 degree (mm) : | 1155 |
| Adjustable feet : | Yes - front only |
| Maximum adjustability feet (mm) : | 60 |
| Adjustable plinth : | both horizontal and vertical |
| Net weight (kg) : | 36.812 |
| Gross weight (kg) : | 39.0 |
| Connection rating (W) : | 2400 |
| Current (A) : | 10 |
| Voltage (V) : | 220-240 |
| Frequency (Hz) : | 50; 60 |
| Length of electrical supply cord (cm) : | 175 |
| Plug type : | GB plug |
| Length inlet hose (cm) : | 165 |
| Length outlet hose (cm) : | 190 |
| EAN code : | 4242005035892 |
| Number of place settings : | 14 |
| Energy efficiency class (2010/30/EC) : | A++ |
| Energy consumption annual (kWh/annum) - NEW (2010/30/EC) : | 266.00 |
| Energy consumption (kWh) : | 0.93 |
| Power consumption in left-on mode (W) - NEW (2010/30/EC) : | 0.50 |
| Power consumption in off-mode (W) - NEW (2010/30/EC) : | 0.50 |
| Water consumption annual (l/annum) - NEW (2010/30/EC) : | 2660 |
| Drying performance : | A |
| Reference programme : | Eco |
| Total cycle time of reference programme (min) : | 210 |
| Noise level (dB(A) re 1 pW) : | 44 |
| Installation type : | Built-in |



Optional accessories

- SGZ1010 : inlet and outlet hose extention
- SMZ2044 : Plinth casing and door, stainless steel
- SMZ5000 : Dishwashing aid set
- SMZ5003 : Retractable hinge f. high corpus dimens.
- SMZ5005 : Compensating + fixing kit, stainl. steel
- SMZ5025 : Decor conversion kit, stainless steel
- SMZ5100 : Vario-cutlery basket



Serie | 6, Semi-integrated dishwasher, 60 cm, Stainless steel SMI68MS06G

Enjoy a peaceful kitchen. Our especially quiet SuperSilence dishwasher. Even quieter when running the Silence program.

Performance

- Energy Efficiency Class: A++ (on an Energy Efficiency Class scale from A+++ to D)
- Capacity: 14 place settings. VarioDrawer on 3rd level
- Energy consumption in programme Eco 50 °C: 266 kwhper year, based on 280 standard cleaning cycles using cold water fill and the consumption of the low power modes. Actual energy consumption will depend on how the appliance is used.
- Water consumption in Eco 50 programme: 2660 litres per year, based on 280 standard cleaning cycles
- Programme time in Eco 50 programme: 210 minutes
- A rated performance for washing and A for drying
- Noise level dB (A) re 1pW: 44 dB
- Noise level (silence programme): 41 dB(A) re 1 pW
- Energy consumption in Eco 50 programme: 0.93 kWh
- Water consumption in Eco 50 programme: 9.5 litres

Programmes/functions

- 8 programmes: Intensive 70 °C, Auto 45-65 °C, Eco 50 °C, Silence 50 °C, Glass 40 °C, 1 Hour 65 °C, Quick 45 °C, Pre rinse
- 4 special options: Remote Start, VarioSpeed Plus, Hygiene Plus, Extra Dry
- Machine Care Programme
- 5 temperatures

Flexible design elements

- Basket system with red coloured touchpoints
- VarioDrawer - loading of cutlery on 3rd level
- 3 stage Rackmatic height-adjustable top basket
- with Bosch branded handle
- 2 foldable cup shelves in top basket

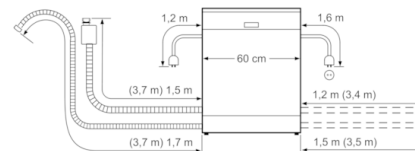
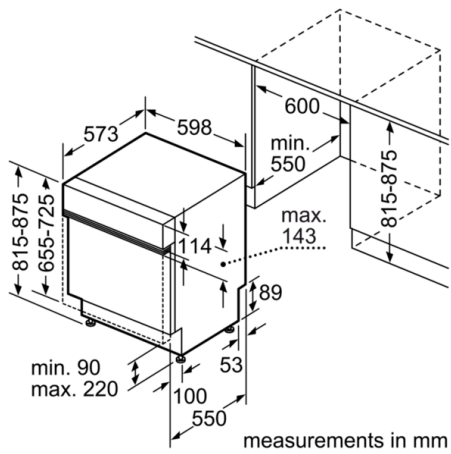
Innovations and technology

- Home Connect ready on WLAN
- Heat exchanger - Hygienic and efficient drying
- DosageAssist detergent dispenser
- Automatic detergent detection
- ActiveWater hydraulic water system
- EcoSilence BLDC drive
- AquaSensor III, Load Sensor
- AquaMix - Glass protection system
- AquaStop: Bosch warranty in case of water damage - for the lifetime of the appliance. Please find warranty terms under <https://www.bosch-home.co.uk/customer-service/care-protection-and-parts/additional-warranties>
- Curved spray arms - Optimum water distribution

Design features

- Touch control
- Real-time clock - actual time is displayed
- Interior white emotion light
- Control buttons on front of fascia
- water inlet indicator
- Electronic time delay: 1-24 hours with water inlet indicator
- Black display with white text
- Stainless steel interior
- Display colour: Red LED indicators
- LED salt refill indicator, LED rinse aid refill indicator
- Alternating spray arms
- Tamperproof controls
- Large item spray head, steam protection plate
- Self-cleaning filter system with 3 piece corrugated filter
- Front-adjustable rear foot
- Dimensions (HxWxD): 81.5 x 59.8 x 57.3cm
- Efficiency information relates to the Eco 50 programme. This programme is suitable for cleaning normally soiled tableware and is the most efficient programme in terms of combined energy and water consumption.

**Serie | 6, Semi-integrated dishwasher, 60 cm,
Stainless steel
SMI68MS06G**



() Werte mit Verlängerungssatz