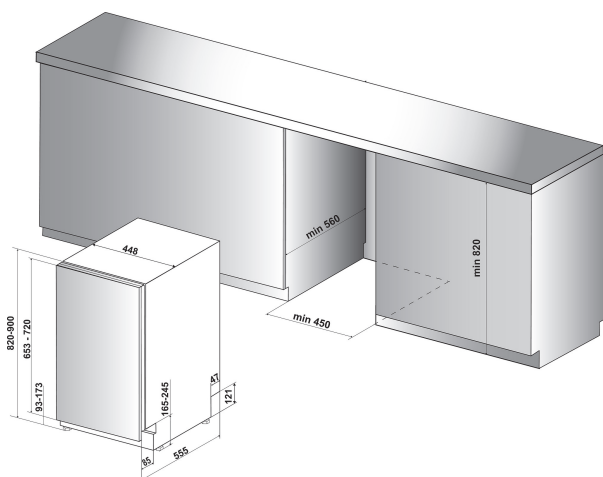


# DSIE 2B10 UK

12NC: F155486

GTIN (EAN) code: 8050147554869



## MAIN FEATURES

|                                       |                      |
|---------------------------------------|----------------------|
| Construction type                     | Built-in             |
| Installation type                     | Full-integrated      |
| Type of control                       | Electronic           |
| Type of control settings              | -                    |
| Removable work top                    | N/A                  |
| Door decor panel                      | N/A                  |
| Main colour of product                | White                |
| Electrical connection rating (W)      | 1900                 |
| Current (A)                           | 13                   |
| Voltage (V)                           | 220-240              |
| Frequency (Hz)                        | 50                   |
| Length of Electrical Supply Cord (cm) | 130                  |
| Plug type                             | UK                   |
| Length inlet hose (cm)                | 155                  |
| Length outlet hose (cm)               | 150                  |
| Adjustable plinth                     | No                   |
| Height of removable worktop (mm)      | 0                    |
| Adjustable feet                       | Yes - all from front |
| Height of the product                 | 820                  |
| Width of the product                  | 448                  |
| Depth of the product                  | 555                  |
| Depth with open door 90 degree (mm)   | -                    |
| Minimum niche height                  | 820                  |
| Maximum niche height                  | 900                  |
| Minimum niche width                   | 450                  |
| Maximum niche width                   | 600                  |
| Niche depth                           | 560                  |
| Net weight (kg)                       | 27.2                 |
| Gross weight (kg)                     | 29                   |

## TECHNICAL FEATURES

|   |               |
|---|---------------|
| Automatic programmes                      | No            |
| Maximum temperature for water intake (°C) | 60            |
| Start delay options                       | No delay      |
| Start delay time max. (h)                 | 0             |
| Progress indicator                        | -             |
| Digital countdown indicator               | No            |
| Salt light indicator                      | No            |
| Rinse aid light indicator                 | No            |
| Safety device                             | Yes           |
| Adjustable upper basket                   | Yes, unloaded |
| Largest loadable dish upper basket (cm)   | 0             |
| Largest loadable dish lower basket (cm)   | 0             |
| Number of place settings                  | 10            |

## PERFORMANCES

|  |      |
|--|------|
| Energy efficiency class - NEW (2010/30/EU)               | A+   |
| Energy consumption annual (kWh/annum) - NEW (2010/30/EU) | 238  |
| Duration of the left-on mode - NEW (2010/30/EU)          | 12   |
| Power consumption in left-on mode - NEW (2010/30/EU)     | 5    |
| Power consumption in off-mode - NEW (2010/30/EU)         | 0.5  |
| Water consumption annual (l/annum) - NEW (2010/30/EU)    | 3220 |
| Noise level (dB(A) re 1 pW)                              | 51   |