

**Serie | 8, Wall-mounted cooker hood,
90 cm, clear glass black printed
DWF97RV60B**



B

Flat design hood: always keep an eye on your pots and pans with this design highlight.

- **7-segment display with control wheel:** settings and light can be selected conveniently by turning the control wheel.
- An impressive extraction rate of 717 m³/h ensures this hood will have your kitchen odour free in no time.
- **Home Connect:** Connected home appliances for an easier everyday life (only in countries where Home Connect service is available).
- **PerfectAir sensor:** automatic control of settings for maximum extractor performance with minimal noise.
- **Especially silent:** maximum extractor performance with minimal noise

Technical Data

Color chimney :	Stainless steel
Typology :	Chimney
Approval certificates :	CE, G-Mark, VDE
Length of electrical supply cord (cm) :	130
Height of product, without chimney (mm) :	430
Minimum distance above an electric hob :	450
Net weight (kg) :	22.813
Type of control :	Electronic
Number of speed settings :	3-stage + 2 intensive
Maximum output air extraction (m ³ /h) :	394
Boost position output recirculating (m ³ /h) :	527
Maximum output recirculating air (m ³ /h) :	294
Boost position air extraction (m ³ /h) :	717
Number of lights (Stck) :	2
Noise level (dB(A) re 1 pW) :	57
Diameter of air outlet (mm) :	120 / 150
Grease filter material :	Washable aluminium
EAN code :	4242002946597
Connection rating (W) :	146
Current (A) :	10
Voltage (V) :	220-240
Frequency (Hz) :	50; 60
Plug type :	GB plug
Installation type :	Wall-mounted



Optional accessories

- DSZ5201 : CleanAir active carbon filter spare part
- DWZ0AF0A0 : Active carbon filter (spare part)
- DWZ0AF0R0 : Recirculation kit regenerative chimless
- DWZ0AF0S0 : Recirculation kit regenerative
- DWZ0AF0T0 : Recirculation kit for chimless use
- DWZ0AF0U0 : Recirculation kit
- DWZ0AX5K0 : Chimney extension 1000 mm
- DWZ0AX5L0 : Chimney extension 1500 mm
- DZ0XX0P0 : CleanAir act.carbon filter regenerative



Serie | 8, Wall-mounted cooker hood, 90 cm, clear glass black printed DWF97RV60B

Flat design hood: always keep an eye on your pots and pans with this design highlight.

Key performance features:

- Energy Efficiency Class: B (at a range of energy efficiency classes from A+++ to D)
- Extraction rate according to EN 61591 ø 15 cm: max. Normal use 394 m³/h Intensive 717 m³/h
- Noise max. Normal Level: 57 dB*

Features

Home Connect: Remote Monitoring and Control (only in countries where Home Connect service is available)

- PerfectAir sensor
- Hob based hood control
- TouchControl with Electronic display
- Electronic display
- 3 power levels and 2 intensive settings
- 2 x 3W LED light
- Colour Temperature: 3500 K
- Dimmer function
- Efficient BLDC technology
- Automatic run on duration 1-9 min
- Automatic intensive revert (6mins)
- 2 removable metal grease filter cassettes
- Saturation indicator for metal and charcoal filter
- easy to clean Inner frame
- Designed for wall mounted installation
- Rim ventilation

Design

- Black glass canopy
- Flat glass design
- Chimney extractor hood
- TouchControl, Control wheel

Performance/technical information

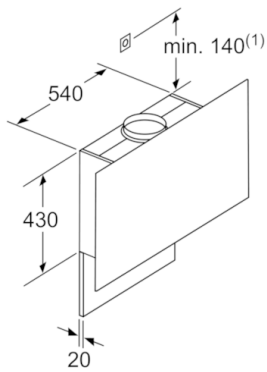
- Installation with gas hob not recommended
- Suitable for ducted or recirculating operation
- For recirculated extraction recirculating kit or CleanAir recirculating kit (accessory) needed
- Easy installation system
- Extraction rate according to EN 61591 ø 15 cm: max. Normal use 394 m³/h Intensive 717 m³/h
- Extraction rate according to EN 61591 max. 394 m³/h
- Noise level according to EN 60704-3 and EN 60704-2-13 at max. normal use exhaust air: 57 dB(A) re 1 pW (44 dB(A) re 20 µPa sound pressure)
- Noise level according to EN 60704-3 and EN 60704-2-13 exhaust air: Max. normal use: 57 dB(A) re 1 pW (44 dB(A) re 20 µPa sound pressure) Intensive: 70 dB(A) re 1 pW (57 dB(A) re 20 µPa sound pressure)
- Noise level according to EN 60704-3 and EN 60704-2-13 at maximum normal setting: extraction rate: 57 dB (A) re 1pW
- Noise max. Normal Level: 57 dB*
- Power rating: 146 W
- Light Intensity: 589 lux
- Colour Temperature: 3500 K
- Electrical cable length 1.3 m
- Diameter pipe ø 150 mm (ø 120 mm enclosed)
- Dimensions exhaust air (HxWxD): 1019-1289 x 890 x 263 mm
- Dimensions recirculating (HxWxD): 1079-1349 x 890 x 263 mm
- Dimensions recirculating with CleanAir module (HxWxD): 1209 x 890 x 263 mm - mounting with outer chimney 1279-1549 x 890 x 263 mm - mounting with telescopic chimney
- Energy Efficiency Class: B (at a range of energy efficiency classes from A+++ to D)
- Blower Efficiency Class: B*
- Lighting Efficiency Class: A*
- Grease Filtering Efficiency Class: B*
- Average Energy Consumption: 40 kWh/year*

Optional accessories

- Recirculating kit

* In accordance with the EU-Regulation No 65/2014

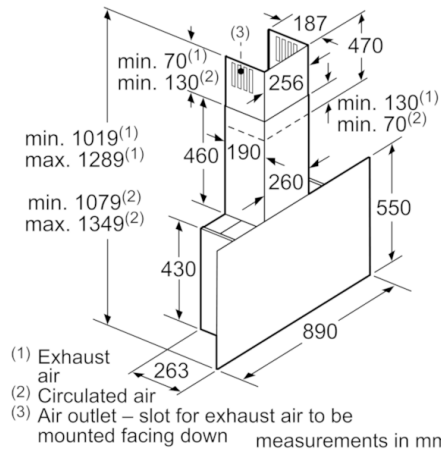
**Serie | 8, Wall-mounted cooker hood, 90 cm,
clear glass black printed
DWF97RV60B**



(1) Position of socket

Note the maximum thickness of the back panel.

measurements in mm

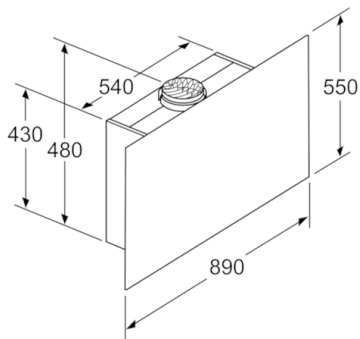


(1) Exhaust air

(2) Circulated air

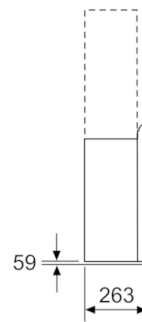
(3) Air outlet – slot for exhaust air to be mounted facing down

measurements in mm

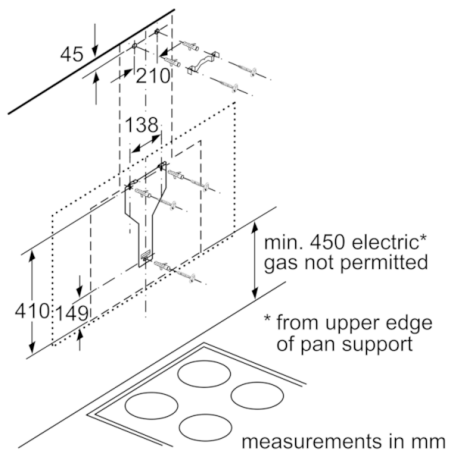


Appliance in circulated air mode without duct
Circulated air set required

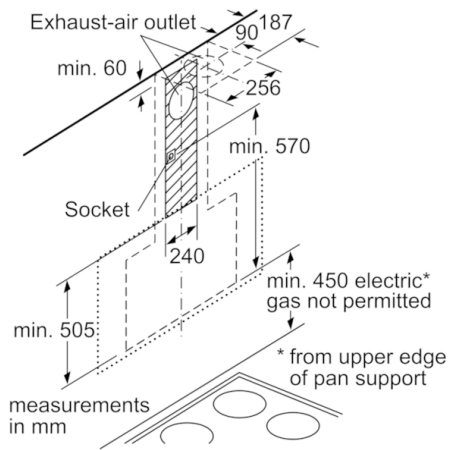
measurements in mm



measurements in mm



measurements in mm



measurements in mm