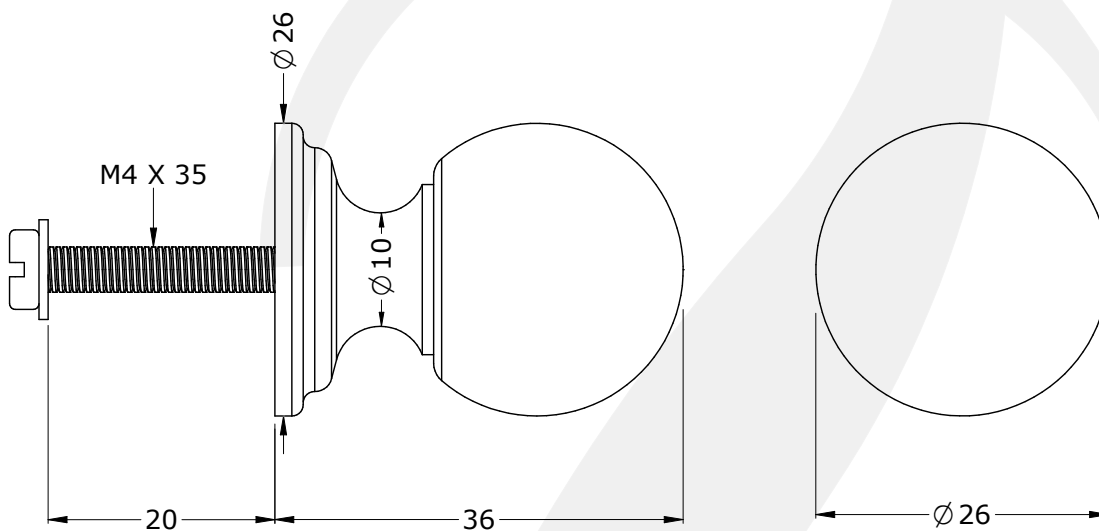


• SPECIFICATION •

• 6061 - TRADITIONAL SMALL ROUNDED DRAWER HANDLE

- SUPPLIED AS 10 BOXED
- MANUFACTURED IN THE UK
- SUPPLIED WITH SCREW FIXING KIT
(M4 X 35 PANHEAD STAINLESS STEEL SCREW X 10)
(M4 STAINLESS STEEL WASHER X 10)
- COMPLIMENTS PERRIN AND ROWE TAP STYLING



AVAILABLE FINISHES:

- CHROME
- NICKEL
- PEWTER
- POLISHED BRASS
- SATIN BRASS
- AGED BRASS
- GOLD
- ENGLISH BRONZE

PACKED WEIGHT:
1.155 KG [10 BOXED]

UNIT WEIGHT:
0.098 KG

ALL UNITS IN mm
UNLESS OTHERWISE
STATED