

**Serie | 2, Wall-mounted cooker hood,
90 cm, clear glass
DWA94BC50B**



**Hood with glass design: performance
combined with curved glass design to
match your kitchen.**

- **Push buttons:** simply change the desired power level settings with mechanic control.
- An impressive extraction rate of 365 m³/h ensures this hood will have your kitchen odour free in no time.
- **Silent:** maximum extractor performance with little noise

Technical Data

Color chimney :	Stainless steel
Typology :	Chimney
Approval certificates :	CE, VDE
Length of electrical supply cord (cm) :	130
Height of the chimney (mm) :	576-897/576-1007
Height of product, without chimney (mm) :	50
Minimum distance above an electric hob :	550
Minimum distance above a gas hob :	650
Net weight (kg) :	14.681
Type of control :	mechanical
Number of speed settings :	3
Maximum output air extraction (m ³ /h) :	365
Maximum output recirculating air (m ³ /h) :	198
Number of lights (Stck) :	2
Noise level (dB(A) re 1 pW) :	64
Diameter of air outlet (mm) :	150 / 120
Grease filter material :	Washable aluminium
EAN code :	4242005050963
Connection rating (W) :	100
Current (A) :	10
Voltage (V) :	220-240
Frequency (Hz) :	60; 50
Plug type :	GB plug
Installation type :	Wall-mounted

Optional accessories

- DHZ1225 : Chimney extension 1000 mm
- DHZ1235 : Chimney extension 1500 mm
- DHZ9550 : Brushed steel back panel
- DHZ9551 : Brushed steel back panel
- DSZ5201 : CleanAir active carbon filter spare part
- DSZ6200 : CleanAir Recirculation Kit
- DWZ0DX0A0 : Active carbon filter
- DWZ0DX0U0 : Recirculating kit
- DWZ0XX0I0 : Integrated CleanAir Recirculation Kit
- DWZ0XX0J0 : Integrated CleanAir Recirculation Kit
- DZZ0XX0P0 : CleanAir act.carbon filter regenerative



Serie | 2, Wall-mounted cooker hood, 90 cm, clear glass DWA94BC50B

Hood with glass design: performance combined with curved glass design to match your kitchen.

Key performance features:

- Energy Efficiency Class: D (at a range of energy efficiency classes from A+++ to D)
- Max. extraction rate: 365 m³/h
- Noise max. Normal Level: 64 dB*

Features

- Push button control
- 3 power levels
- 2 x 1.5W LED light
- Colour Temperature: 3500 K
- 1 removable metal grease filter cassette
- Designed for wall mounted installation

Design

- Brushed steel glass canopy
- Glass design
- Chimney extractor hood
- Mechanical

Performance/technical information

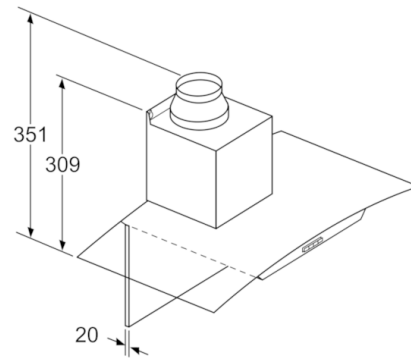
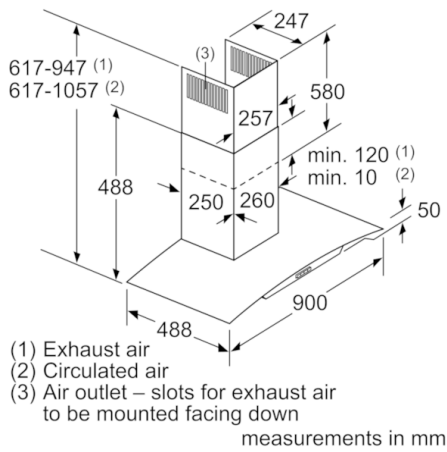
- Suitable for ducted or recirculating operation
- For recirculated extraction recirculating kit or CleanAir recirculating kit (accessory) needed
- Max. extraction rate: 365 m³/h
- Maximum extraction rate exhaust air 365 m³/h according to EN 61591
- Extraction rate in recirculation mode:
Max. normal use: 198 m³/h
- Noise max. Normal Level: 64 dB*
- Noise level according to EN 60704-3 and EN 60704-2-13 at max. normal use exhaust air: 64 dB(A) re 1 pW (51 dB(A) re 20 µPa sound pressure)
- Noise level in recirculation mode:
Max. normal use: 66 dB(A) re 1 pW (53 dB(A) re 20 µPa sound pressure)
- Power rating: 100 W
- Light Intensity: 101 lux
- Colour Temperature: 3500 K
- Electrical cable length 1.3 m
- Diameter pipe Ø 150 mm (Ø 120 mm enclosed)
- Dimensions exhaust air (HxWxD): 617-947 x 900 x 488 mm
- Dimensions recirculating (HxWxD): 617-1057 x 900 x 488 mm
- Dimensions recirculating with CleanAir module (HxWxD):
686 x 900 x 488 mm - mounting with outer chimney
815-1145 x 900 x 488 mm - mounting with telescopic chimney
- Energy Efficiency Class: D (at a range of energy efficiency classes from A+++ to D)
- Blower Efficiency Class: E*
- Lighting Efficiency Class: A*
- Grease Filtering Efficiency Class: C*
- Average Energy Consumption: 53.1 kWh/year*

Optional accessories

- Recirculating kit

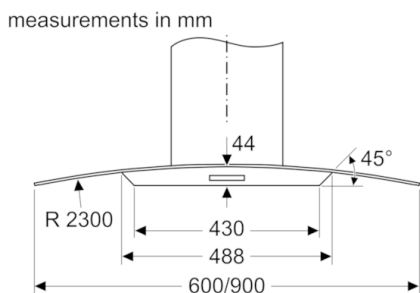
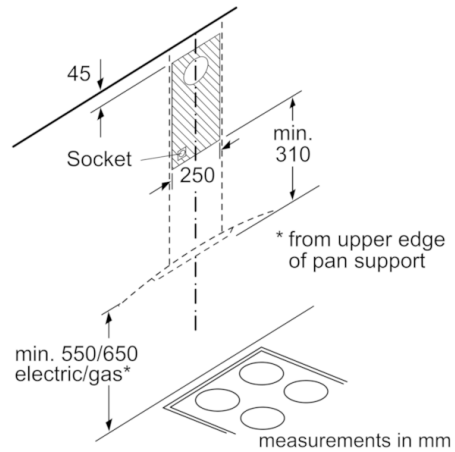
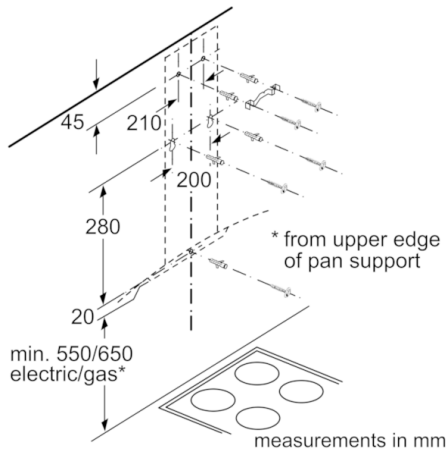
* In accordance with the EU-Regulation No 65/2014

Serie | 2, Wall-mounted cooker hood, 90 cm, clear glass DWA94BC50B



If a back panel is used, the design of the appliance must be considered.

measurements in mm



Dimensions for designing rear wall panels. Please ensure that all dimensions are within the tolerances. The actual dimensions must be checked on the appliance in question.