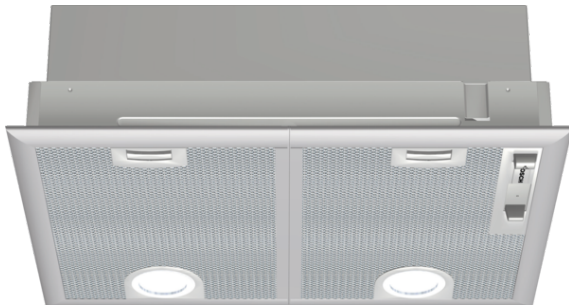


**Serie | 4, Canopy cooker hood, 53 cm,
Silver metallic
DHL555BLGB**



Optional accessories

DHZ7305 : Charcoal filter for recirculation oper.
DHZ7402 : Accessories extractor hoods

Canopy cooker hoods are designed to be fully integrated for more flexibility when planning your kitchen.

- An impressive extraction rate of 618 m³/h ensures this hood will have your kitchen odour free in no time.
- LED lighting is highly energy efficient and provides attractive, white and even lighting for the hob area.
- For fast and effective extraction, the intensive speed setting removes strong kitchen odours quickly and effectively.
- **Especially quiet:** high performance at just 43 dB.

Technical Data

Typology :	Traditional
Approval certificates :	CE, VDE
Length of electrical supply cord (cm) :	130
Required niche size for installation (HxWxD) :	255mm x 500mm x 350mm
Minimum distance above an electric hob :	650
Minimum distance above a gas hob :	650
Net weight (kg) :	7.539
Type of control :	mechanical
Maximum output air extraction (m ³ /h) :	363
Boost position output recirculating (m ³ /h) :	395
Maximum output recirculating air (m ³ /h) :	268
Boost position air extraction (m ³ /h) :	618
Number of lights (Stck) :	2
Noise level (dB(A) re 1 pW) :	56
Diameter of air outlet (mm) :	150 / 120
Grease filter material :	Washable aluminium
EAN code :	4242005122462
Connection rating (W) :	206
Current (A) :	10
Voltage (V) :	220-240
Frequency (Hz) :	50
Plug type :	GB plug
Installation type :	Built-in



4 242005 122462

Serie | 4, Canopy cooker hood, 53 cm, Silver metallic DHL555BLGB

Canopy cooker hoods are designed to be fully integrated for more flexibility when planning your kitchen.

Key performance features:

- Energy Efficiency Class: C (at a range of energy efficiency classes from A+++ to D)
- Extraction rate exhaust air according to EN 61591: max. normal use 362 m³/h, intensive 618 m³/h
- Noise max. Normal Level: 56 dB*

Features

- Slider switch control for extractor speeds and light
- 3 power levels & intensive setting
- Twin motor
- 2 x LED spot 2.15W (low volt)
- Colour Temperature: 3500 K
- 2 removable metal grease filter cassettes

Design

- For installation under an overhead canopy kitchen unit
- Silver metallic lacquer
- Canopy hood
- Slider switch control
- Mechanical

Performance/technical information

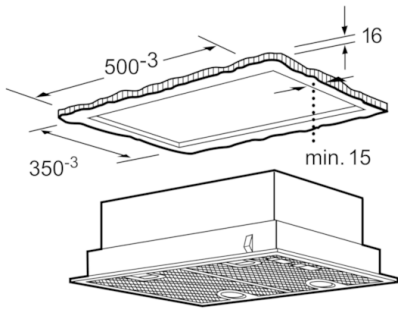
- Suitable for ducted or recirculating operation
- For recirculated extraction charcoal filter (accessory) needed
- Max. extraction rate: 618 m³/h
- Extraction rate exhaust air according to EN 61591: max. normal use 362 m³/h, intensive 618 m³/h
- Noise max. Normal Level: 56 dB*
- Noise level according to EN 60704-3 and EN 60704-2-13 exhaust air:
Max. normal use: 56 dB(A) re 1 pW (43 dB(A) re 20 µPa sound pressure)
Intensive: 68 dB(A) re 1 pW (55 dB(A) re 20 µPa sound pressure)
- Power rating: 206 W
- Light Intensity: 438 lux
- Colour Temperature: 3500 K
- Electrical cable length 1.3 m
- Diameter pipe Ø 150 mm (Ø 120 mm enclosed)
- Dimensions exhaust air (HxWxD): 255-255 x 530 x 380 mm
- Dimensions recirculating (HxWxD): 255-255 x 530 x 380 mm
- built-in dimensions (HxWxD): 255 x 500 x 350 mm
- Energy Efficiency Class: C (at a range of energy efficiency classes from A+++ to D)
- Blower Efficiency Class: D*
- Lighting Efficiency Class: A*
- Grease Filtering Efficiency Class: B*
- Average Energy Consumption: 79.8 kWh/year*

Optional accessories

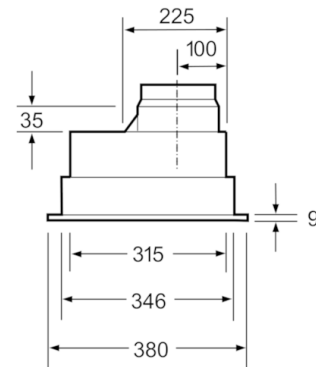
- Recirculating kit

* In accordance with the EU-Regulation No 65/2014

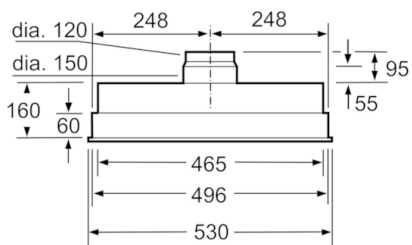
**Serie | 4, Canopy cooker hood, 53 cm, Silver metallic
DHL555BLGB**



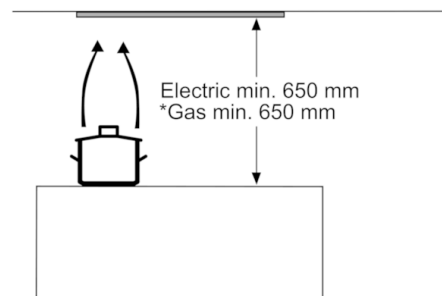
measurements in mm



measurements in mm



measurements in mm



* from upper edge of pan support

measurements in mm