

**Serie | 2, Wall-mounted cooker hood,
75 cm, Stainless steel
DWP74BC50B**



Optional accessories

DHZ1224 : Chimney extension 500 mm
 DHZ1234 : Chimney extension 750 mm
 DHZ5275 : Recirculating kit
 DHZ5276 : Active carbon filter

**Pyramid hood: perfect performance
matching your kitchen.**

- **Push buttons:** simply change the desired power level settings with mechanic control.
- An impressive extraction rate of 365 m³/h ensures this hood will have your kitchen odour free in no time.
- **Silent:** maximum extractor performance with little noise

Technical Data

| | |
|--|--------------------|
| Color chimney : | Stainless steel |
| Typology : | Chimney |
| Approval certificates : | CE, VDE |
| Length of electrical supply cord (cm) : | 130 |
| Height of the chimney (mm) : | 553-730/573-730 |
| Height of product, without chimney (mm) : | 246 |
| Minimum distance above an electric hob : | 550 |
| Minimum distance above a gas hob : | 650 |
| Net weight (kg) : | 10.597 |
| Type of control : | mechanical |
| Number of speed settings : | 3 |
| Maximum output air extraction (m ³ /h) : | 365 |
| Maximum output recirculating air (m ³ /h) : | 213 |
| Number of lights (Stck) : | 2 |
| Noise level (dB(A) re 1 pW) : | 65 |
| Diameter of air outlet (mm) : | 150 / 120 |
| Grease filter material : | Washable aluminium |
| EAN code : | 4242005031993 |
| Connection rating (W) : | 100 |
| Current (A) : | 10 |
| Voltage (V) : | 220-240 |
| Frequency (Hz) : | 60; 50 |
| Plug type : | GB plug |
| Installation type : | Wall-mounted |



Serie | 2, Wall-mounted cooker hood, 75 cm, Stainless steel DWP74BC50B

Pyramid hood: perfect performance matching your kitchen.

Key performance features:

- Energy Efficiency Class: D (at a range of energy efficiency classes from A+++ to D)
- Max. extraction rate: 365 m³/h
- Noise max. Normal Level: 65 dB*

Features

- Push button control
- 3 power levels
- 2 x 1.5W LED light
- Colour Temperature: 3500 K
- 2 removable metal grease filter cassettes
- Designed for wall mounted installation

Design

- Brushed steel
- Pyramid
- Chimney extractor hood
- Mechanical

Performance/technical information

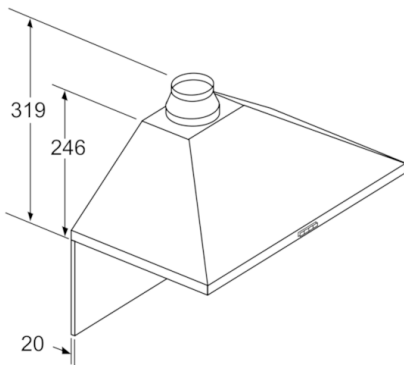
- Suitable for ducted or recirculating operation
- For recirculated extraction recirculating kit (accessory) needed
- Max. extraction rate: 365 m³/h
- Maximum extraction rate exhaust air 365 m³/h according to EN 61591
- Extraction rate in recirculation mode:
Max. normal use: 213 m³/h
- Noise max. Normal Level: 65 dB*
- Noise level according to EN 60704-3 and EN 60704-2-13 at max. normal use exhaust air: 65 dB(A) re 1 pW (52 dB(A) re 20 µPa sound pressure)
- Noise level in recirculation mode:
Max. normal use: 67 dB(A) re 1 pW (54 dB(A) re 20 µPa sound pressure)
- Power rating: 100 W
- Light Intensity: 94 lux
- Colour Temperature: 3500 K
- Electrical cable length 1.3 m
- Diameter pipe Ø 150 mm (Ø 120 mm enclosed)
- Dimensions exhaust air (HxWxD): 799-975 x 750 x 500 mm
- Dimensions recirculating (HxWxD): 799-975 x 750 x 500 mm
- Energy Efficiency Class: D (at a range of energy efficiency classes from A+++ to D)
- Blower Efficiency Class: E*
- Lighting Efficiency Class: A*
- Grease Filtering Efficiency Class: D*
- Average Energy Consumption: 53.1 kWh/year*

Optional accessories

- Recirculating kit

* In accordance with the EU-Regulation No 65/2014

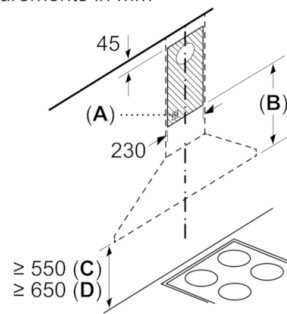
**Serie | 2, Wall-mounted cooker hood, 75 cm,
Stainless steel
DWP74BC50B**



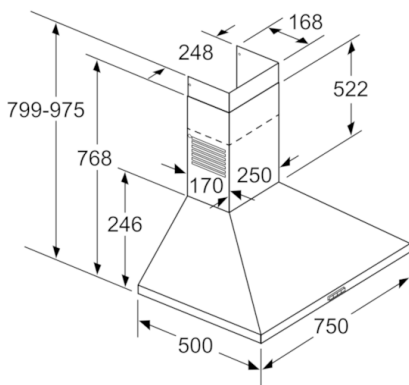
If a back panel is used,
the design of the appliance
must be considered.

measurements in mm

measurements in mm



- A: Socket
- B: Exhaust air: ≥ 280 ; circulated air: ≥ 490
- C: electric
- D: Gas, from upper edge of pan support



measurements in mm