

Serie | 8, Built-in oven, Stainless steel HBG6764S6B


A+


The built-in oven with PerfectBake and PerfectRoast: you get perfect baking and roasting results – automatically.

- **PerfectBake Sensor and PerfectRoast thermometer:** the easy way to perfect baking and roasting results.
- **4D Hot Air:** even heat distribution for perfect results – on up to four levels simultaneously
- **BoschAssist:** automatic setting of the optimal type of heat, temperature and time for countless dishes.
- **TFT touchscreen control:** easy-to-use thanks to the control ring with full text and images.
- **Home Connect:** home appliances with smart connectivity for an easier everyday life.
- **Pyrolytic self-cleaning:** no cleaning effort thanks to pyrolytic cleaning programmes.

Technical Data

Color / Material Front :	Stainless steel
Construction type :	Built-in
Integrated Cleaning system :	Pyrolytic
Required niche size for installation (HxWxD) :	585-595 x 560-568 x 550
Dimensions of the product (mm) :	595 x 594 x 548
Dimensions of the packed product (HxWxD) (mm) :	670 x 680 x 670
Control Panel Material :	Stainless steel
Door Material :	Glass
Net weight (kg) :	38.566
Usable volume of cavity (l) :	71
Cooking method :	, 4D hot air, Bottom heat, Conventional heat, Defrost, Full width grill, Half width grill, Hot Air-Eco, Hot air grilling, low temperature cooking, Pizza setting, pre-heating, warming
First cavity material :	Enamelled
Temperature control :	electronic
Number of interior lights :	1
Approval certificates :	CE, VDE
Length of electrical supply cord (cm) :	120
EAN code :	4242002932491
Number of cavities (2010/30/EC) :	1
Energy efficiency class (2010/30/EC) :	A+
Energy consumption per cycle conventional (2010/30/EC) :	0.87
Energy consumption per cycle forced air convection (2010/30/EC) :	0.69
Energy efficiency index (2010/30/EC) :	81.2
Connection rating (W) :	3600
Current (A) :	16
Voltage (V) :	220-240
Frequency (Hz) :	50; 60
Plug type :	no plug

Included accessories

2 x combination grid
1 x universal pan

Optional accessories

HEZ530000 : Half tray
HEZ531010 : Baking tray, non-stick ceramic coated
HEZ625071 : Grill tray, anthracite enamelled
HEZ631070 : Baking tray, anthracite enamelled
HEZ634000 : Baking and roasting grid (standard)
HEZ636000 : Glass pan
HEZ638370 : 3 level telescopic rails, full ext,pyro
HEZ6ECF0 : Cookbook
HEZ915003 : Glass roasting dish, 5,4 L



4 242002 932491

Serie | 8, Built-in oven, Stainless steel HBG6764S6B

The built-in oven with PerfectBake and PerfectRoast: you get perfect baking and roasting results – automatically.

Design

- 3x 2,5"-TFT colour and graphics display with direct touch function
- Drop down door, SoftClose, SoftOpen
- Stainless steel control wheel
- Straight bar handle
- Cavity inner surface: Enamel anthracite

Features

- Home Connect ready
- Digital temperature display with proposal
 - Actual temperature display
 - Heating-up indicator
 - Sabbath setting
- Control panel lock
 - Automatic safety switch off
 - Residual heat indicator
 - Start button
 - Door contact switch
- BoschAssist
- PerfectRoast meatprobe
- PerfectBake sensor
- Electronic clock timer
- Main on/off switch
- Halogen interior light
- Light on/off when oven door opened/closed
- 5 shelf positions

Cleaning

- Pyrolytic self-cleaning function
- Full glass inner door

Programmes/functions

- Oven with 13 heating methods: 4D Hotair, Hotair Gentle, conventional top and bottom heat, conventional heat Gentle, Hotair grilling, full width variable grill, half width grill, pizza function, bottom heat, low temperature cooking, defrost, plate warming, keep warm
- Fast pre-heating function

Standard accessories

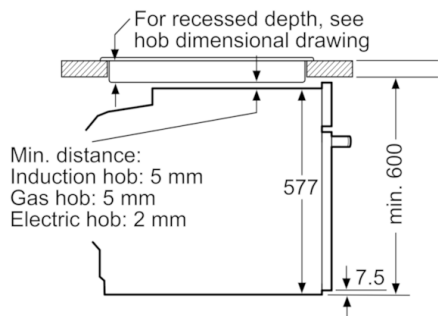
- 1 level telescopic shelf, full extension, Stop function, pyrolytic proof
- 2 x combination grid, 1 x universal pan

Performance/technical information

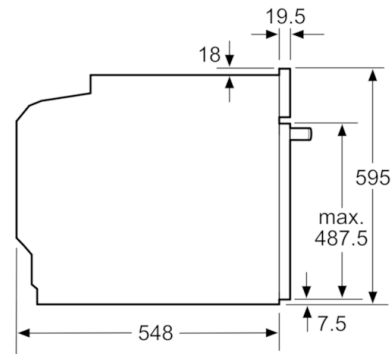
- Energy efficiency rating (acc. EU Nr. 65/2014): A+
- Energy consumption per cycle in conventional mode: 81.2
- Energy consumption per cycle in fan-forced convection mode: 0.69 kwh
- Number of cavities: 1
- Cavity volume: 71 litre capacity
- Temperature range 30 °C - 300 °C
- Integral cooling fan
- Length of mains cable: 120 cm
- Total connected load electric: 3.6 KW
- Nominal voltage: 220 - 240 V
- Appliance dimension (hxwxh): 595 mm x 594 mm x 548 mm
- Niche dimension (hxwxh): 585 mm - 595 mm x 560 mm - 568 mm x 550 mm
- Please refer to the dimensions provided in the installation manual

Serie | 8, Built-in oven, Stainless steel HBG6764S6B

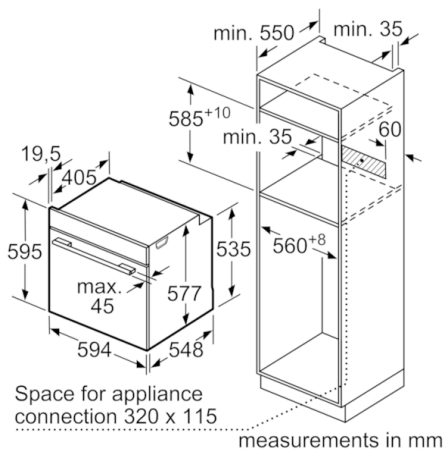
Installation with a hob.



measurements in mm



measurements in mm



If the appliance will be installed underneath a hob, the following worktop thicknesses (including substructure if necessary) must be taken into account.

Hob type	min. worktop thickness	
	fitted	flush
Induction hob	37 mm	38 mm
Full surface Induction hob	47 mm	48 mm
Gas hob	30 mm	38 mm
Electric hob	27 mm	30 mm

