

**Serie | 4, Built-in microwave oven,
Black
BFL523MB0B**



**The built-in microwave for the 38 cm niche:
use it for thawing, heating and perfect
preparation of foods.**

- **Microwave function:** time saving preparation, defrosting and re-heating of dishes.
- **Electronic door opening:** comfortable door opening
- **Red LED display control:** easy-to-use thanks to the time functions.

Technical Data

Type of micro-wave oven :	MW only
Type of control :	Electronic
Color / Material Front :	Black
Dimensions of the product (mm) :	382 x 594 x 317
Cavity dimensions (mm) :	201.0 x 308.0 x 282.0
Length of electrical supply cord (cm) :	130
Net weight (kg) :	16.058
Gross weight (kg) :	18.0
EAN code :	4242005039128
Maximum micro-wave power (W) :	800
Connection rating (W) :	1270
Current (A) :	10
Voltage (V) :	230-240
Frequency (Hz) :	50
Plug type :	GB plug



Included accessories

1 x Turntable



Serie | 4, Built-in microwave oven, Black BFL523MB0B

**The built-in microwave for the 38 cm niche:
use it for thawing, heating and perfect
preparation of foods.**

Design

- LED Display, red display
- Side opening door, left hinged
- Retractable control dials, Start button, Touch controls, Rotary dial
- Electronic open button
- Cavity inner surface: Stainless steel
- 25.5 cm Glass turntable

Features

- AutoPilot
1 memory setting
- Automatic safety switch off
Door contact switch
- AutoPilot7
- Electronic clock timer
- LED light
- Integral cooling fan

Programmes/functions

- Max. Power: 800 W; 5 Microwave power settings (90 W,180 W,360 W,600 W,800 W)
- AutoPilot7
- 4 defrost and 3 cooking programmes

Standard accessories

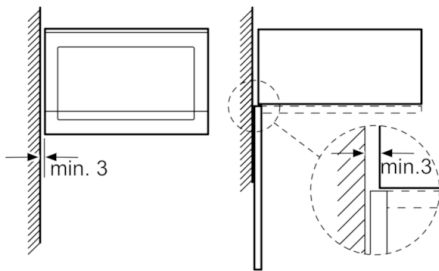
- 1 x Turntable

Performance/technical information

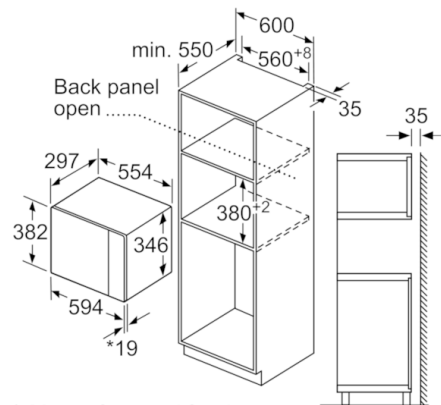
- Cavity volume: 20 l
- Turntable distribution
- Length of mains cable: 130 cm
- Total connected load electric: 1.27 KW
- Nominal voltage: 230 - 240 V
- Appliance dimension (hxwxh): 382 mm x 594 mm x 317 mm
- Niche dimension (hxwxh): 362 mm - 365 mm x 560 mm - 568 mm x 300 mm
- Please refer to the dimensions provided in the installation manual

Serie | 4, Built-in microwave oven, Black BFL523MB0B

Microwave,
corner installation



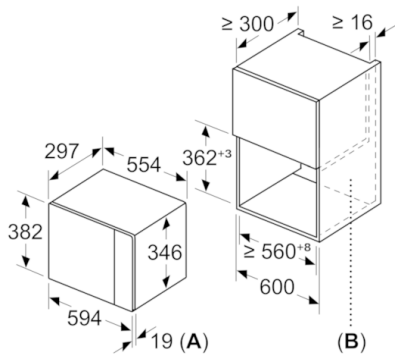
Measurements in mm



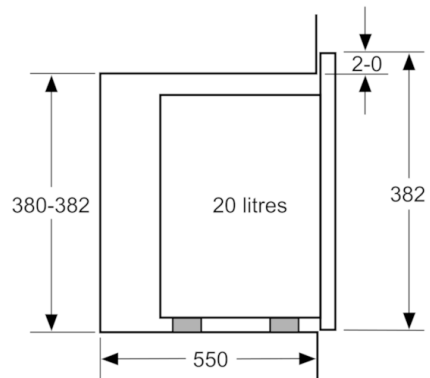
* 20 mm for metal fascia

measurements in mm

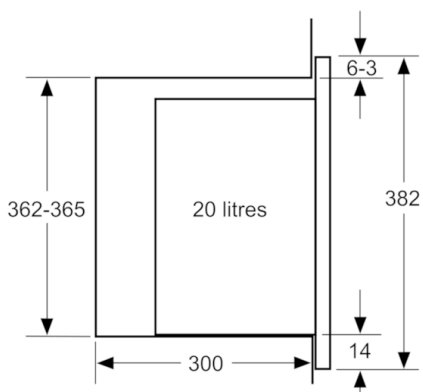
measurements in mm



A: 20 mm for metal fascia
B: Back panel open



measurements in mm



measurements in mm