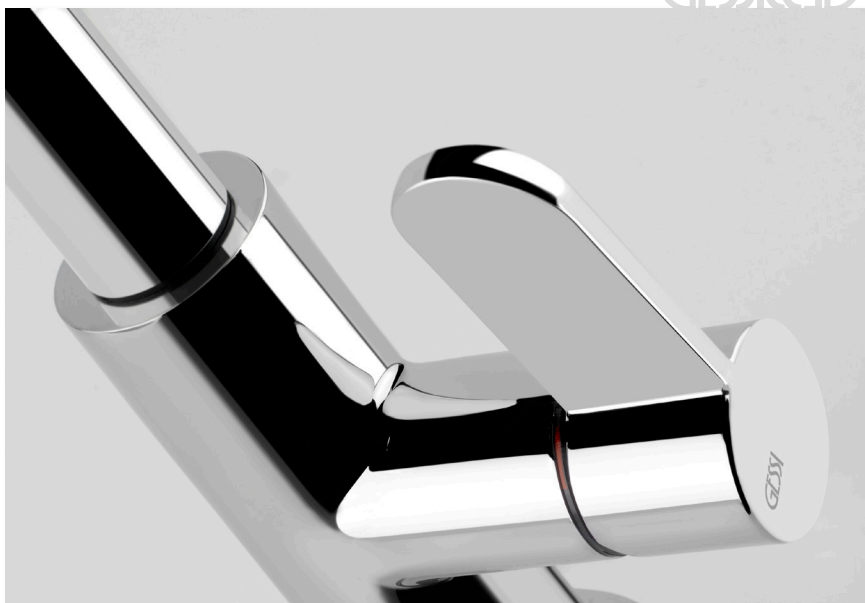
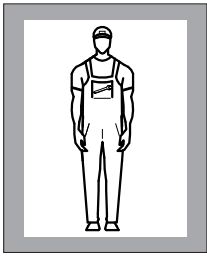




GESSI[®]

TECHNOLOGY
FOR THE KITCHEN




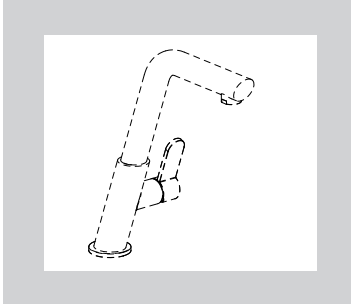
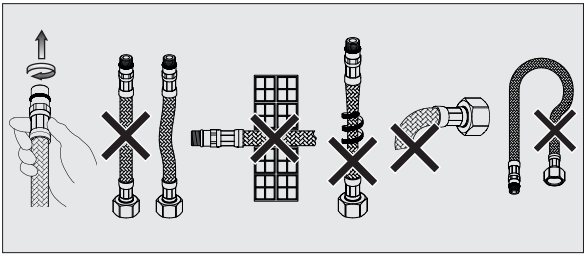
Gessi SpA
Parco Gessi 13037 Serravalle Sesia (Vercelli) - Italy
Phone +39 0163 454111 - Fax +39 0163 459273
www.gessi.com - gessi@gessi.it



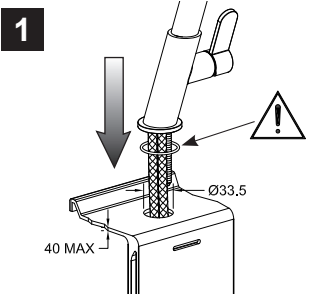


max. 80° Celsius
max. 176 Fahrenheit
5° - 60° Celsius
41° - 140° Fahrenheit

1 - 5 bar
14 - 72 psi


max. 10 bar
145 psi

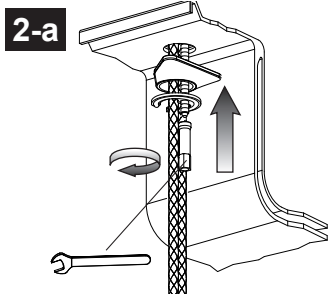


1

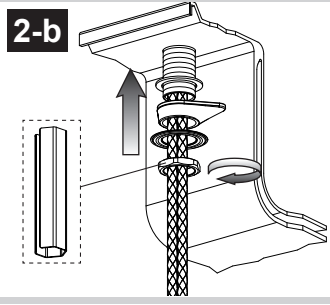


Ø33.5
40 MAX

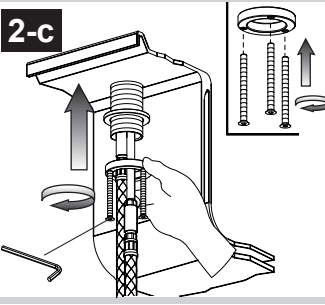
2-a



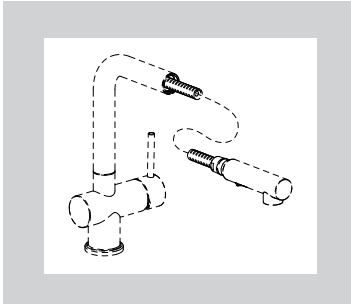
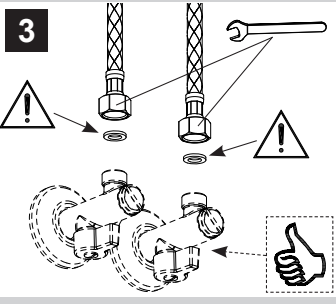
2-b



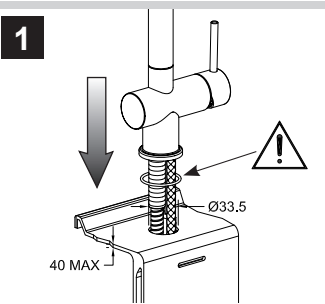
2-c



3

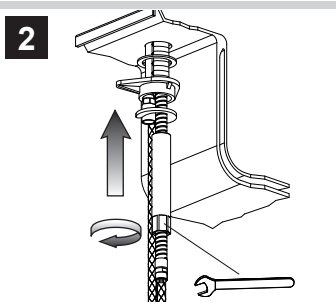


1

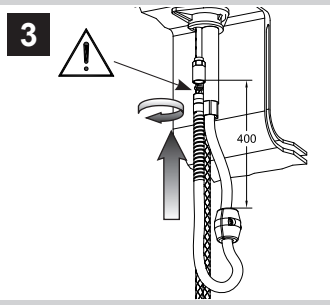


Ø33.5
40 MAX

2

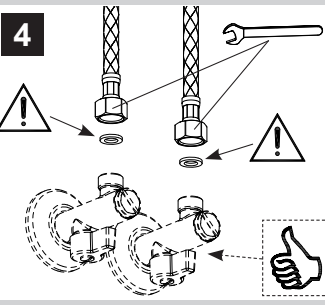


3

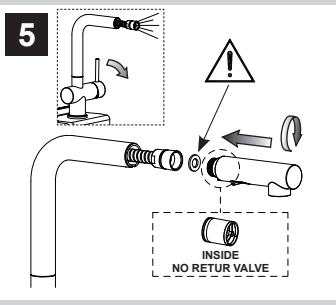


400

4



5



INSIDE
NO RETUR VALVE

