



**Fitting type:** Undermount

**Sink handing:** Not handed

**Finish style:** Grey metallic granite

- Min. base unit (bowl, tap & overflow only): 600 mm
- Packaged size L x W x D: 570 x 580 x 280mm
- Supplied boxed or sleeved: Boxed - brown
- Boxed weight: 11.70 kg
- Sink only weight: 7.60 kg

- Durable matt finish granite composite construction throughout
- Softened square edges for a sharp but easy clean look
- Smooth lined luxury Orbit waste supplied as standard
- Sleek brushed metal 'hidden' orbit overflow design
- Compact sink designed to complement smaller kitchens

**Included parts:**



**1 x AX1002 (m)**  
90mm (1.5") Orbit manual basket  
strainer waste - long bolt



**1 x AX1007 (m)**  
Round overflow pipework



**1 x AX1008 (m)**  
1.0 Bowl pipework



**1 x AX4041 (m)**  
Fitting & care instructions & data sheet  
- Composite undermount



**1 x AX1053 (m)**  
8 x Composite undermount clips, insert  
& 25mm bolt

**Recommended accessories:**

All accessories can be purchased directly from [www.abode-shop.co.uk](http://www.abode-shop.co.uk) or phone 01226 283434

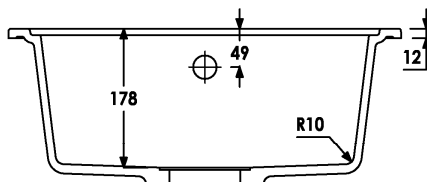
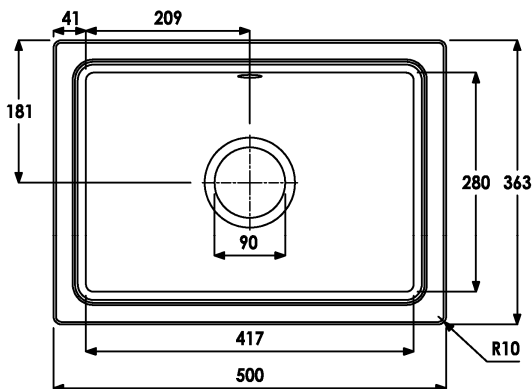
**Materials and workmanship warranty summary:**

- Sink materials & workmanship 10 years.
- Waste kits 1 year.
- Connecting pipework 1 year.

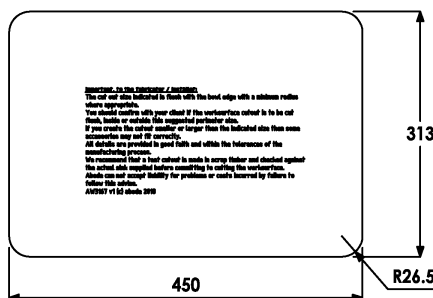
**Care instructions:**

- Clean the products regularly using soapy water and a non abrasive cloth, regular cleaning will prevent the build up of lime scale and dirt.
- Avoid contact with corrosive or abrasive substances.
- After cleaning rinse thoroughly with clean water then dry.
- For more detail see supplied booklet or [www.abodedesigns.co.uk](http://www.abodedesigns.co.uk)

Product dimensions and installation information: note:  symbol indicates position of acoustic pad on stainless products.



### UNDERMOUNT CUT OUT



Additional notes: Repeated release of boiling hot water directly into coloured sinks can in extreme cases cause crazing and even cracking. Therefore we recommend great care is taken not to release the water directly on to the sink surface at full temperature.

Overall product size: 500 x 363 x 198 corner radius 10mm

Tap hole(s) detail: None

Compatibility with large square taps:

Wastehole(s) detail (mm): 90 / N/A / N/A (nb. 90mm wastes accept a waste disposal unit)

Min. base unit (refers to space required for bowl, tap and overflow only): fits 600mm carcass

Min. Recessed fitting width: required (bowl(s), tap and overflow): 460mm

\*Worktop cut out size: 450x313 corner radius 26.5mm, for .DXF cut files please see [www.abode.eu](http://www.abode.eu)

Min. & Max worktop depth or clip depth reach range: 0 - 0mm

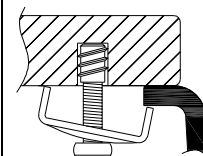
Fitting template supplied? No, use cut out instructions as supplied

Dishwasher under drainer? Distance from top of worktop to underside of the drainer 0mm



### \*Important, fabricator / installer notes for undermount & flushmount sinks:

The cut out size indicated is aligned with outside edge of the bowl top radius (see example below).



You should confirm with your client if the work surface cutout is to be cut flush, inside or outside this suggested perimeter shape & size.

If you create the cutout smaller or larger than the indicated size then the fit of the accessories may be affected and should be physically checked.

### General:

All details are provided in good faith but do not include the tolerances of the material or manufacturing process.

We request that a test cutout is made in scrap timber and checked against the actual sink to be installed before committing to cutting the final work surface.

Abode can not accept liability for problems or costs incurred by failure to follow this request.

Note: the dimensions on ceramic fireclay products are subject to wider tolerances due to the nature of this natural material and the firing process.

CAD cutout files can be downloaded from [www.abodedesigns.co.uk](http://www.abodedesigns.co.uk)

### Bowl details: (sizes in mm unless specified otherwise)

#### Bowl 1 (typically main bowl):

Bowl 1 size L x W x D (mm): 417 x 280 x 178

Bowl 1 construction: Moulded, 10.00mm

Bowl 1 floor radius (mm): 10

Bowl 1 Wastehole diameter (mm): 90

Bowl 1 overflow: Circular, 30mm diameter

Bowl 1 texture: Matt textured

Bowl 1 apx. volume (litres): 12.10

#### Bowl 2 (typically 1/2 or 3/4 bowl):

Bowl 2 size L x W x D (mm): N/A x N/A x N/A

Bowl 2 construction: N/A, N/Amm

Bowl 2 floor radius (mm): N/A

Bowl 2 Wastehole diameter (mm): N/A

Bowl 2 overflow: N/A

Bowl 2 texture: N/A

Bowl 2 apx. volume (litres): N/A

#### Bowl 3:

Bowl 3 size L x W x D (mm): N/A x N/A x N/A

Bowl 3 construction: N/A, N/Amm

Bowl 3 floor radius (mm): N/A

Bowl 3 Wastehole diameter (mm): N/A

Bowl 3 overflow: N/A

Bowl 3 texture: N/A

Bowl 3 apx. volume (litres): N/A