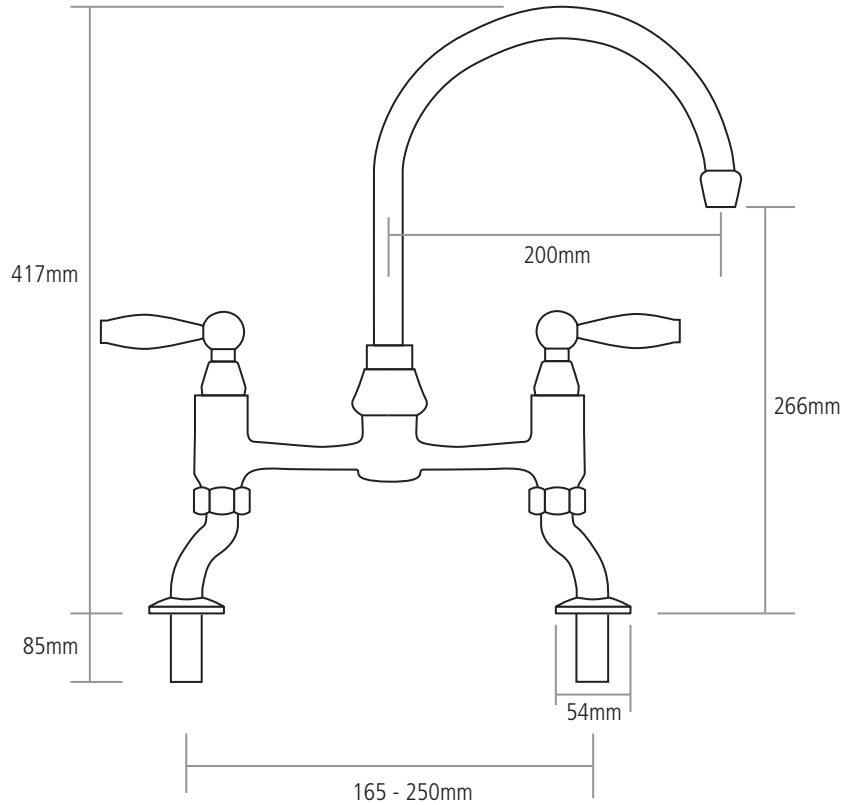


# Dimensions



*Worktop cut-out 25mm required*