

FLT 2HBSM C

FLUTE Tap Range Flute 2 Hole Bath Shower Mixer Chrome



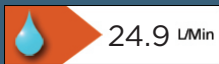
Specification

Product Type:	Bath shower mixer
Main Construction Material:	Brass
Mount Type:	Deck
Handle Type:	Lever
Connection Inlet:	M12x15mm Flexi Tails
Connection Outlet:	N/A
Number of Tap Holes:	2
Valve/Cartridge Type:	Manual
Plumbing System Requirements:	All, High Pressure
Working Pressure Range:	Min. 1.0, Max. 5.0 Bar
Maximum Hot Water Temperature: °C	60
Maximum Static Pressure: (bar)	10
Flow Type:	Single Flow
Isolation Included:	No

Features:

- Long life ceramic cartridge for added durability and ease of use
- Metal back nuts for added durability
- Includes 1.75m hose and rub-clean anti-limescale handset
- Minimum working pressure of 1.0 bar

Product Certifications:

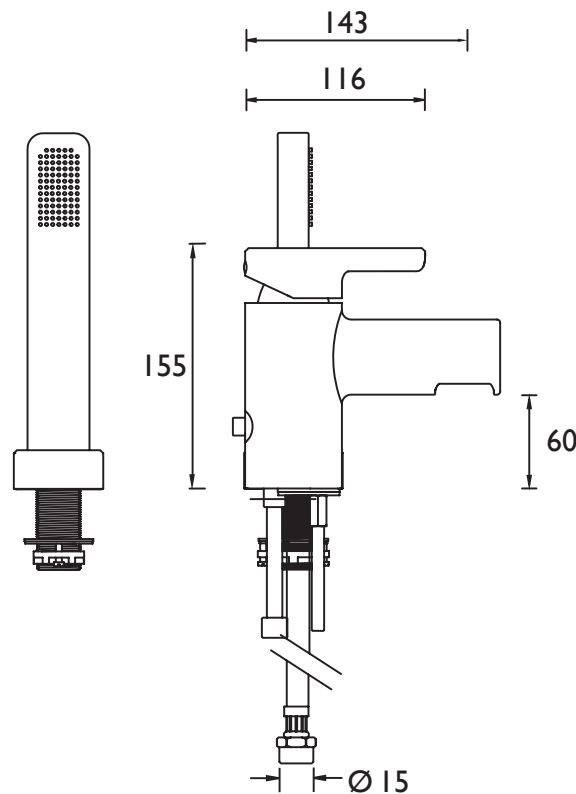


24.9 L/Min

For more products, visit our website:
<http://www.bristan.com>



Dimensions (measurements in mm)



Flow Rates (l/min)

System Pressure (bar)	0.2	0.5	1	2	3	5
FLT 2HBSM C			14.1	20.1	24.9	32.2

TECHNICAL
DATA
SHEET



BRISTAN
TAPS & SHOWERS D2