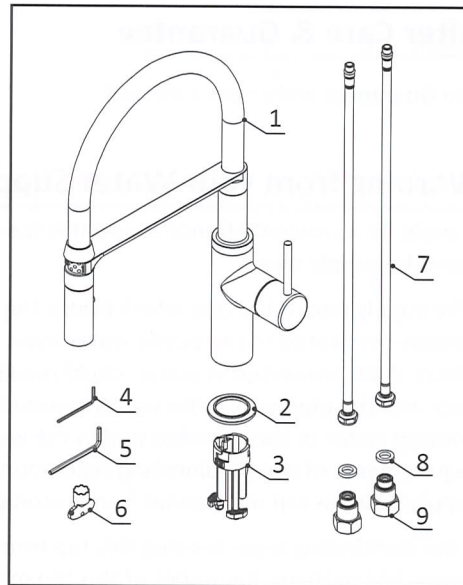


Fitting Instructions

TF6 Top Fix Kitchen Mixer

PACK CONTENTS

- (1). Body: 1pc
- (2). Base: 1pc
- (3). Top mount base assembly: 1pc
- (4). Hex key: 1pc
- (5). Hex key(top mount): 1pc
- (6). Aerator key: 1pc
- (7). Hose: 2pcs
- (8). Seal: 2pcs
- (9). Connector: 2pcs



Before you start

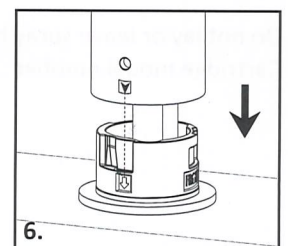
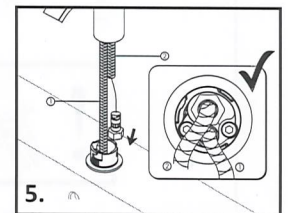
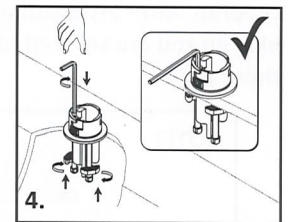
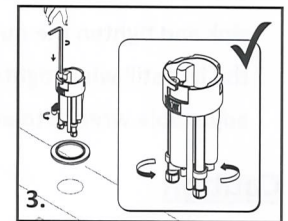
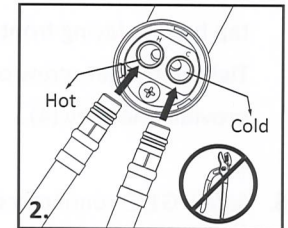
This mixer is suitable for use at water supply pressures of 1 bar (min.) to 5 bar (max.). This product must be connected to the water supply in accordance with the UK Building Regulations. If you are in any doubt about these requirements contact a qualified plumber, your local Water Company, or the Water Regulations Advisory Service (WRAS).

- (a) Identify all components and check pack contents.
- (b) Turn off water mains supply. The main stopcock is usually situated where the supply enters the building.
- (c) It is also recommended that the water heating arrangements are turned off.
- (d) Drain the cold and hot water system. It is recommended to ensure complete drainage, that all taps are opened. There is no need to drain the heating system.

Fitting Instructions

Kitchen Mixer

1. Turn off the water supply valves.
2. Screw hoses (7) into the body (1).
3. Place base (2) on top of sink hole and rotate the two half-moon locking nuts on the base inward. Then put the top mount base assembly (3) into the base hole with the mark "FR↑NT" on the base facing to the front of the sink. Loosen the hex bolts by turning anti-clockwise direction in case the top mount base assembly cannot fit into the hole.
4. Tighten the hex bolts by turning hex bolts clockwise direction.
5. Insert the hoses (7) through the round hole of base like the diagram shown. Insert the cold water flexible hose first and put into the slot and then insert the hot water flexible hose.
6. Align the set screw hole at the bottom of the mixer to the recess on the base and then attach the mixer body to the base by matching the arrow shows on the tap body (1) and Top mount (2). Make sure there is no gap between the mixer and the mounting surface.

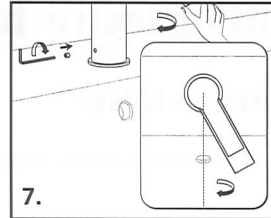


Fitting Instructions

TF6 Top Fix Kitchen Mixer

7. Rotate the tap body (1) anti-clockwise so that the tap body is facing front of you.

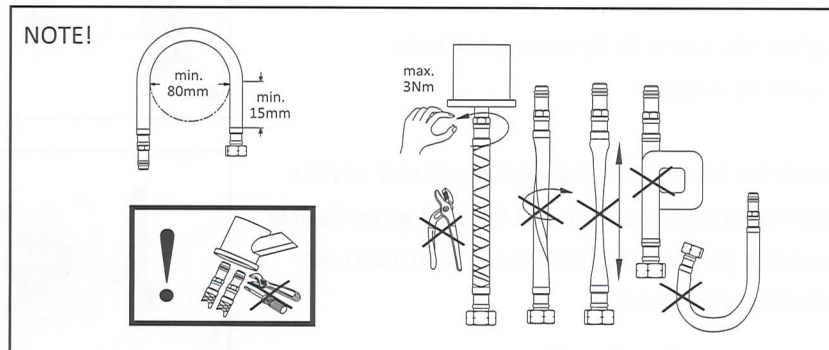
Tighten the set screw on the tap body (1) with the provided hex key (4).



8. Screw G1/2 connectors into the hoses and identify the hot and cold water supply valves below the sink and tighten the nuts. Use one hand to hold the line still while tightening the nut with an adjustable wrench to avoid any twisting or kinking.

Caution

Contains parts which if these become loose could be a choking hazard to small children. After installation please check that the bar levers into the tap heads and the plug lift rod are secured, if required please use low strength thread lock to secure these parts.



Do not lay or leave spray head in dirty water
Cartridge model number : k-35A

After Care & Guarantee

See Guarantee statement included

Warning from your Water Supplier

It could be a criminal offence to use this tap with a mains water supply drawn directly from the supply pipe.

(The supply pipe is the one which brings the water supply into your home and is directly connected to the public water main). This tap has an outlet on a flexible hose which, if left immersed in water, could result in contaminated water being drawn back into the pipework if the supply pressure dropped. To prevent contamination of drinking water in the premises and in the water main, and to comply with the legal requirements of the UK plumbing regulations and byelaws, both hot and cold water supplied to this tap must come from a storage cistern.

If the distributing pipes feeding this tap from the storage cistern have other outlets connected to them, the outlet of this tap must be lower than any of those other outlets.

If installed as a tap which is used for drawing water for drinking, and the quality of water from the storage cistern does not meet the standards for drinking water, a separate tap supplied with wholesome water must be provided for drinking purposes.

For further information, contact your local Water Supplier (see Yellow Pages for details) or the Water Regulations Advisory Scheme by e-mail (info@wras.co.uk) or telephone : 01495 248454.

*The Water Supply (Water Fittings) Regulations 1999 in England and Wales ;
The Scottish Water Byelaws 2004 and Northern Ireland Regulations.

PJH Group,
Alder House,
Kearsley,
Bolton,
BL4 8SL

Do not over bend the flexible hoses.
Please retain for future reference.