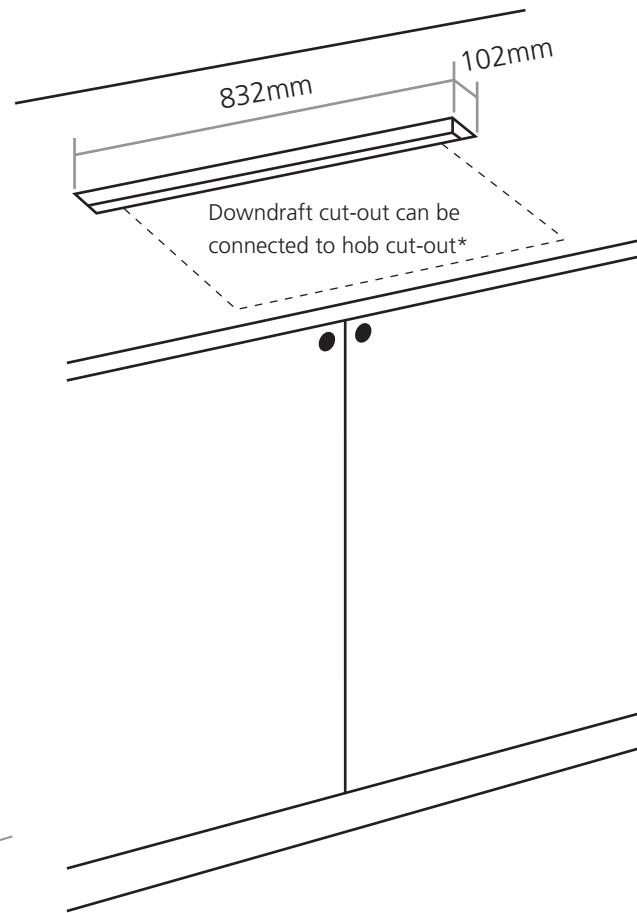
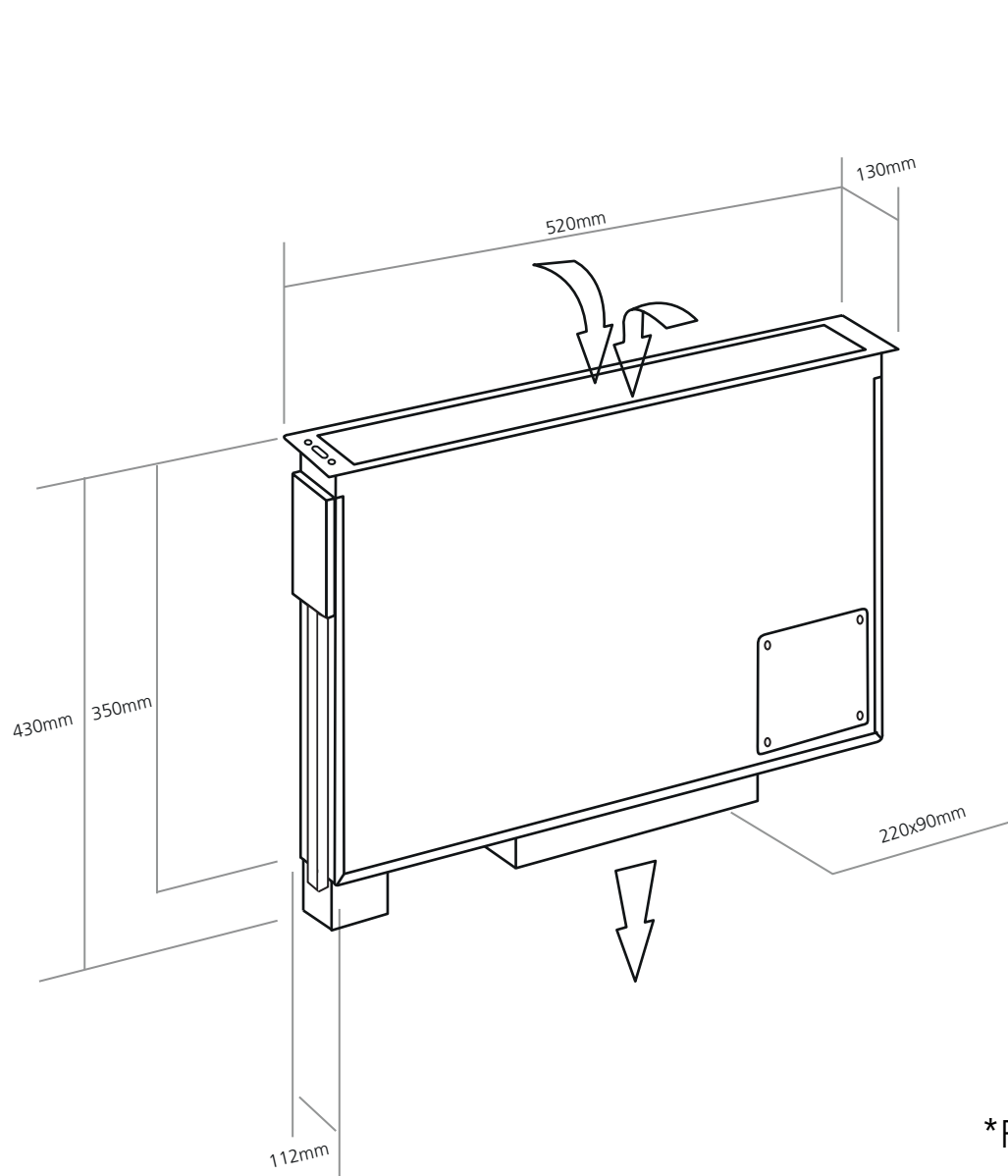


# Dimensions



\*For electric hobs only. Gas hobs will require a 50mm gap