



Product features:

- Metal construction throughout
- Subtle soft sweeping design form
- 5 year limited warranty
- A modern design classic style

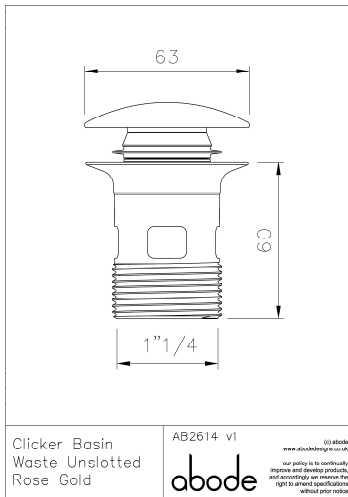
Packaged properties:

Box length (mm): 91 Box depth(mm): 70
 Box width(mm): 70 Boxed weight (Kg): 0.3

Includes pop up waste?: No

Additional comments:

Product dimensions:



- Product mounted where: Surface
- Recommended hole size: Ø 43-55 mm
- Overall Height / projection: 60 mm
- Exit reach: N/A mm
- Exit height: N/A mm
- Base size: 63 mm
- Inlet centre distance(s): N/A mm
- Min. fitting depth required: 36-47 mm
- Max. surface depth:

Product flow characteristics:

FLOW GRAPH NOT APPLICABLE

- Min / Max water pressure (bar): N/A* / N/A
N/A
- Part G max. mixed flow rate at 3 bar (l/m): N/A
- Inlet connection type / length: N/A / N/A mm
- Inlet (plumbing connection) / outlet size: N/A / 1 1/4" M
- Product flow characteristics:
Non return valve(s) supplied or position:
- Aerator type: N/A
- Control valve type: ()
- Includes output diverter?: N/A
- Inlet meshed particle filters included:
- Shower hose type / length: N/A / N/A

Warranty Summary (full details available on request):

- Materials and workmanship defects warranted for 5 years
- Valves and working parts warranted for 5 years
- Surface warranty defects warranted for 1 year
- O-rings, hoses & gaskets warranted for 1 year

Care instructions:

- Clean the mixers and showers regularly as required, using soap, do not use any other cleaners.
- Regular cleaning will prevent the build up of lime scale and dirt
- After cleaning rinse thoroughly with clean water to remove any cleaner residue
- Residues of liquid soaps, shampoos and shower foams can also cause damage, so rinse with clean water after using, avoid contact with any abrasives