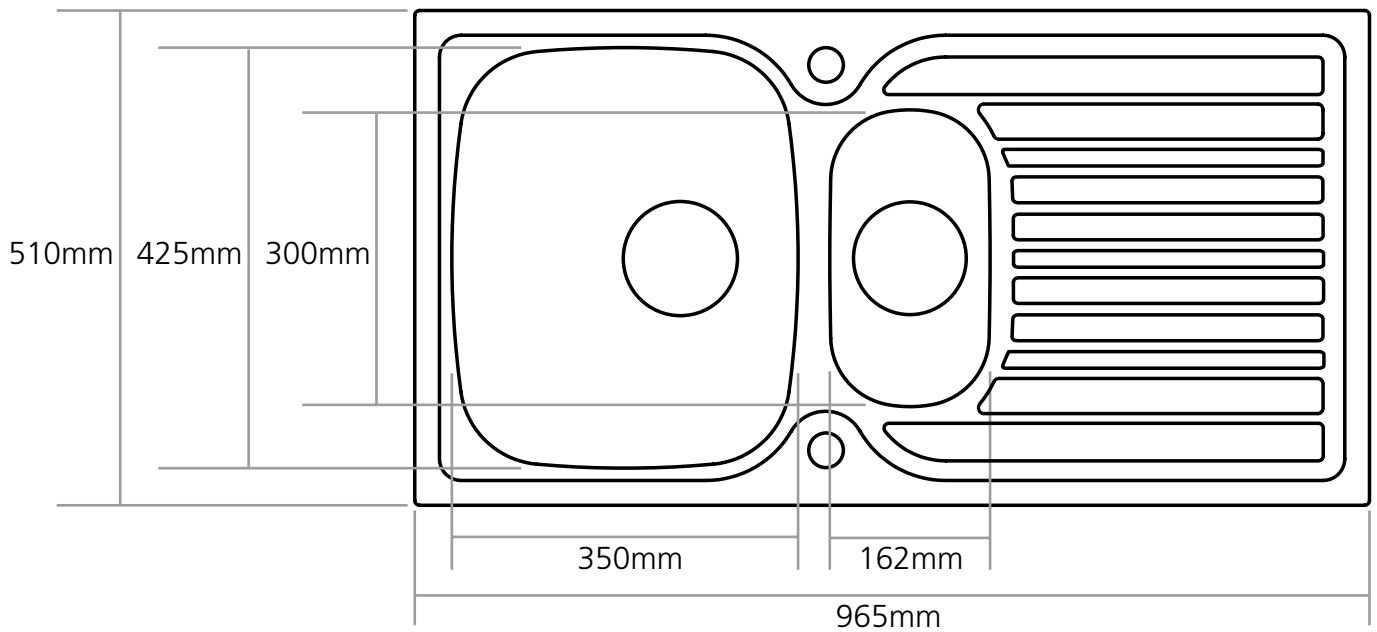


# Product installation diagrams

---

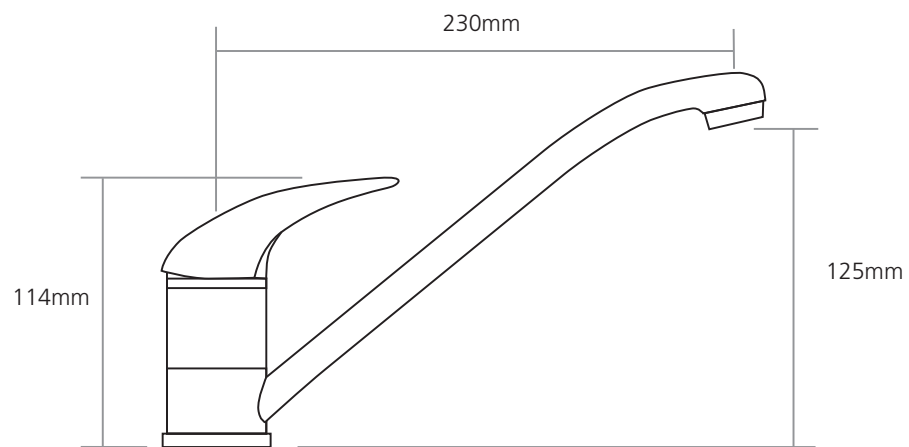
Models:  
CR151SS



# Product installation diagrams

---

Models:  
SL6



*Worktop cut-out 35mm required*

---