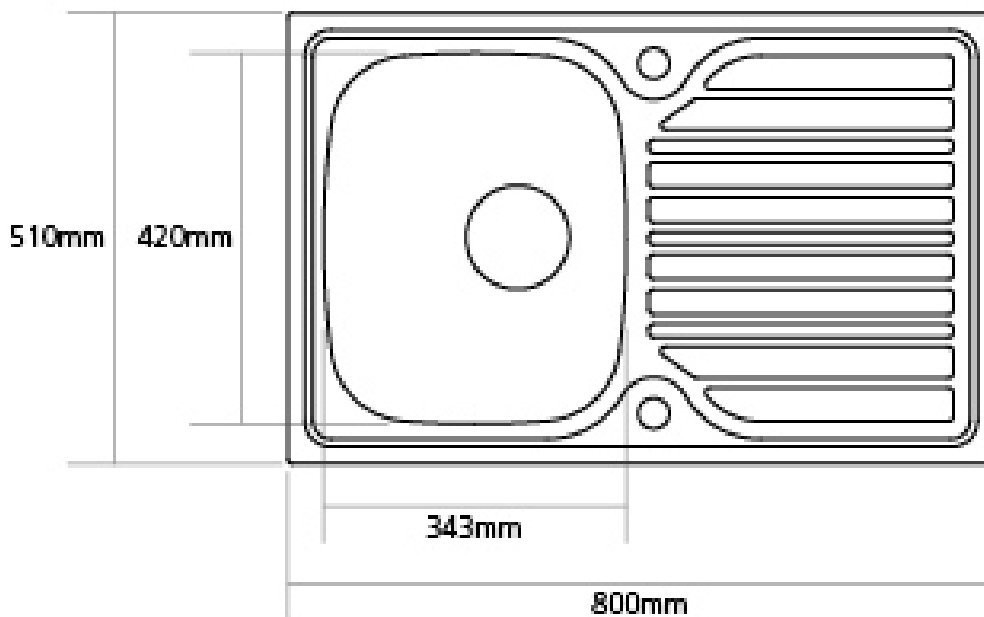


Product installation diagrams

Models:
CR91SS



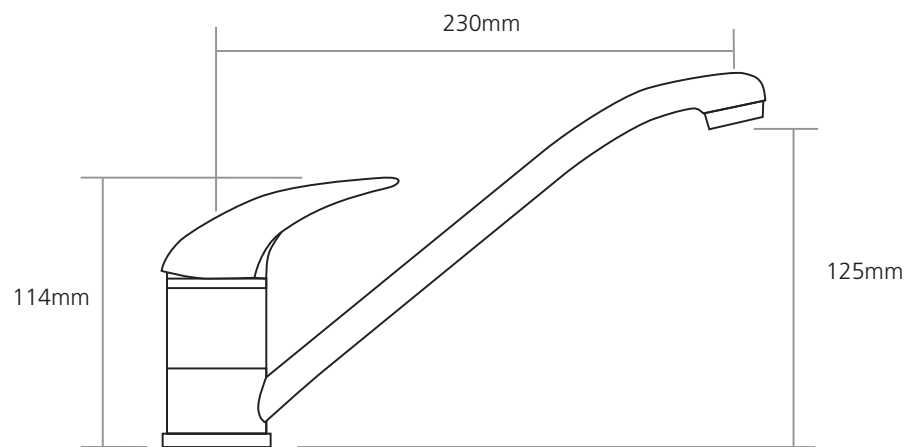
Bowl Depth 150mm

Min. base unit 450mm

Cut out size 776 x 486mm

Product installation diagrams

Models:
SL6



Worktop cut-out 35mm required
