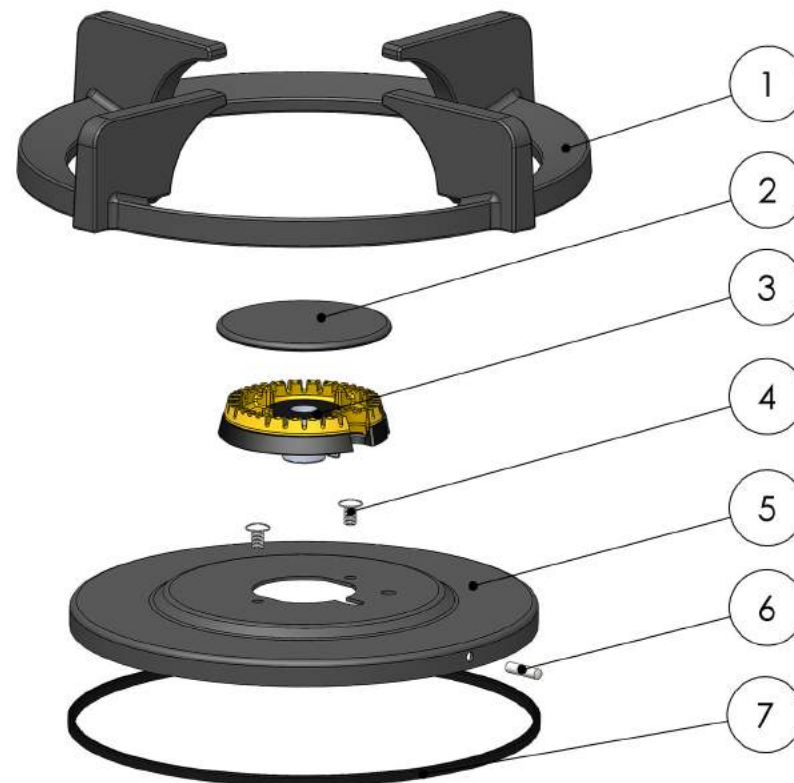
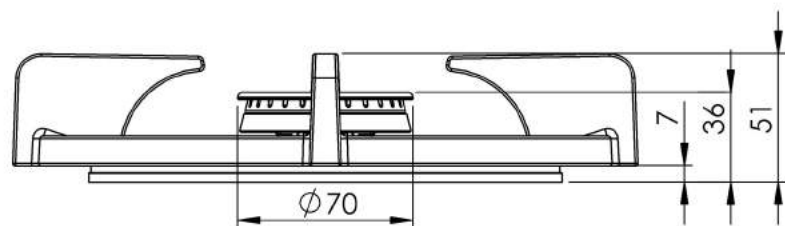
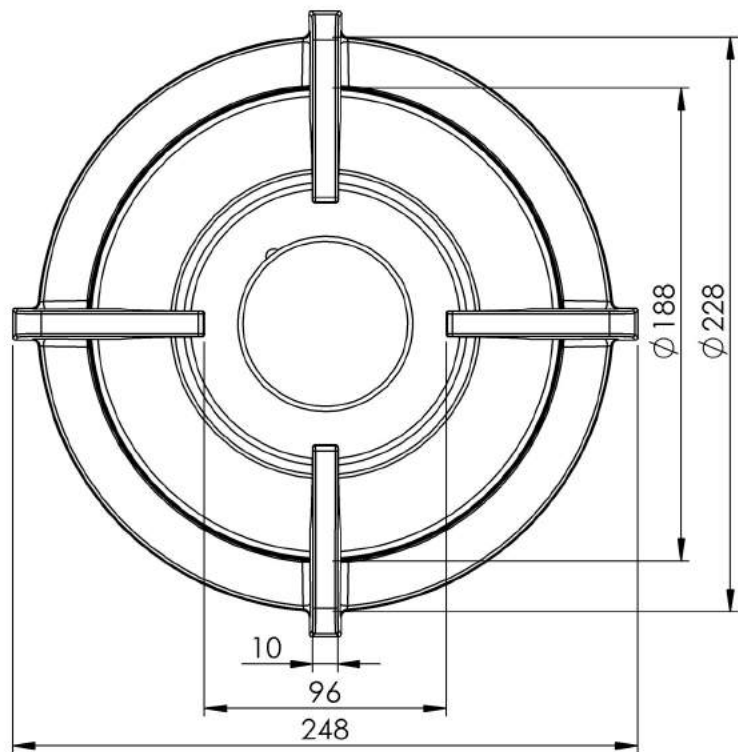


Reference Number	Component number	Description	Amount
1	30.08.102	Burner top 2kW black/brass	1
2	02.00.004	Alu. heat conductor for Akan	1
3	13.00.001	Control knob + sealing scale	1

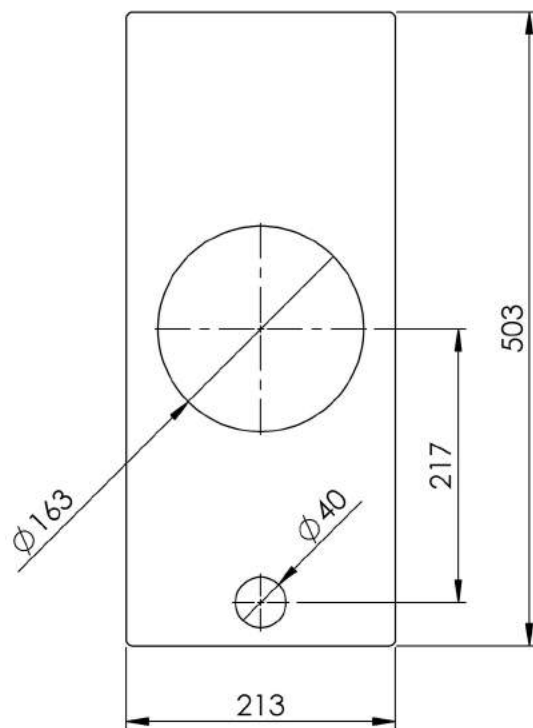
30.08.102 - Burner top 2kW black-brass

PITT
COOKING

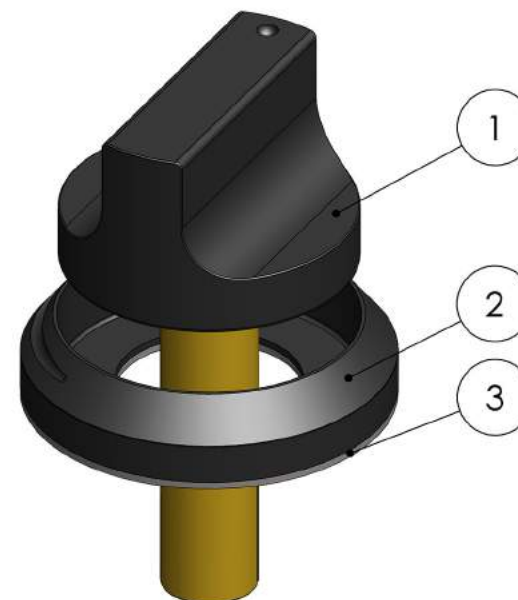
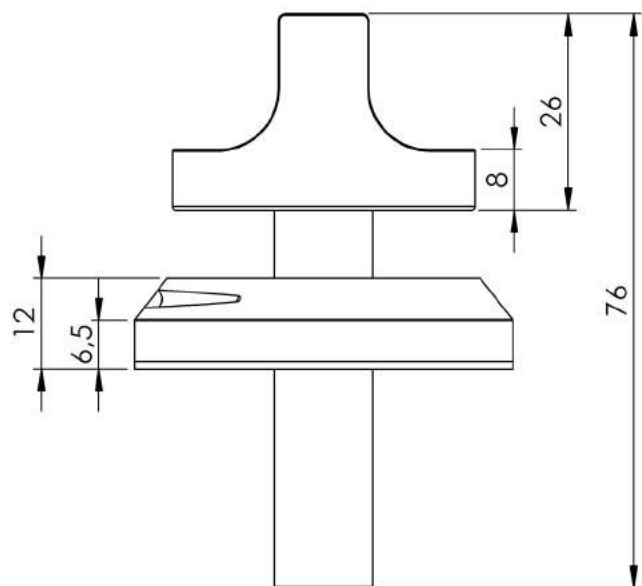
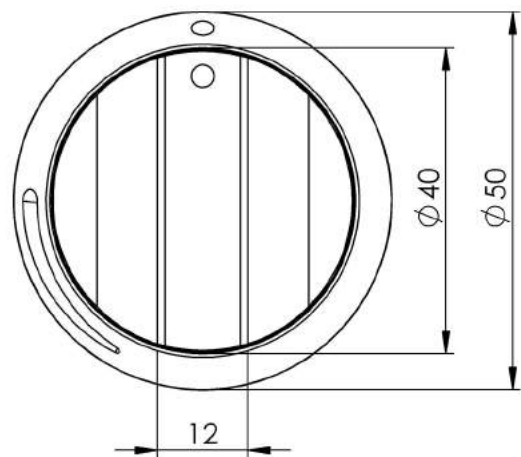


Reference Number	Component number	Description	Material
1	10.00.001	Pan support PITT cooking 2&3kW	Enamelled cast iron
2	04.04.102	Flame spreader 2kW (shell)	Enamelled cast iron
3	04.02.102	Flame distributor 2kW	Painted brass
4	14.04.001	Buffer bolt with saw cut A2 M4x8	Stainless steel
5	11.00.002	Heat shield enameled 2kW	Enamelled steel
6	14.11.001	Conical fixation pin for pan support	Stainless steel
7	12.00.001	Silicone ring 2&3kW	Silicone

02.00.004 - Alu Heat Conductor for Akan



13.00.001 - Control knob + sealing scale



Reference Number	Component number	Description	Material
1	13.00.005	Control knob	Anodized aluminum & brass
2	13.00.003	Sealing scale	Anodized aluminum
3	18.03.001	Adhesive strip	-