

Product Finish: Brushed Nickel

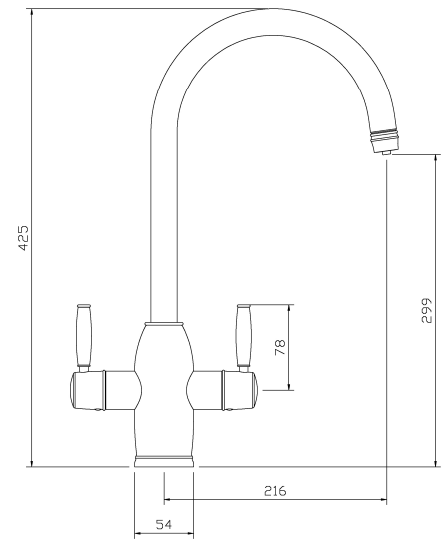
Product code: PT1006
EAN13 barcode: 5060344152976



Product features:

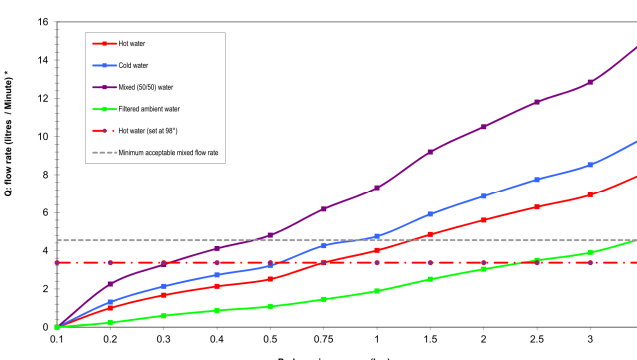
- Stylish 4 way mixer tap delivering domestic hot and cold, ambient and 80-98° filtered water.
- Supplied with 2 x patent pending proximity Hotkey™ activation for 80-98° water, without the Hotkey™ the product reverts to a family safe 3 way mixer.
- 360° rotating thermally insulated spout
- Ceramic disc ¼ turn smooth action control valves
- Hands free dispensing of 80-98° water possible for heavy pans
- Anti splash aerator as standard

Product dimensions:



- **Overall Height / projection:** 425 mm
- **Exit reach:** 216 mm
- **Exit height:** 299 mm
- **Centre distance(s):** n/a
- **Base diameter(s):** 54 mm
- **Recommended hole diameter:** Ø35 mm
- **Max. surface depth:** 42 mm
- **Spout diameter:** 24 mm
- **Spout aerator size:** M22x1 Male

Product flow characteristics:



- **Min / Max water pressure:** 0.50 / 5.5 bar (mixertap only)
- **Recommended / Max incoming domestic hot water temperature:** 46°C / 70°C
- **Part G - Mixed flow rate at 3 bar (litres / min):** 12.85
- **Control valve type:** 1 x Ceramic disc QT hot, 1 x Diverter Cold/Filter
- **Product flow characteristics:** (C,H&F/Boiling) dual flow
- **Aerator type:** Neoperl aerator honeycomb dual flow (02.5110.1)
- **Hot and Cold inlet connections:** M10 x 1/2" M x 365mm flexi hose
- **Non return valve(s):** Yes, integral to hot and cold supplies

<p>Care instructions summary:</p> <ul style="list-style-type: none"> • Clean the product regularly as required, using a mild soap and damp cloth, do not use any other cleaners, regular cleaning will prevent the build-up of lime scale and dirt • Residues of sink & worktop cleaners can also cause damage to the mixer tap, so rinse with clean water after using, avoid contact with any abrasives 	<p>Warranty Summary (Full details available on request):</p> <ul style="list-style-type: none"> • Mixer tap Materials and workmanship defects warranted for 5 years • Proboil3 Materials and workmanship defects warranted for 2 years • Mixer tap Valves and working parts warranted for 5 years • Surface finish warranty defects warranted for 1 year • All o-rings, hoses & gaskets warranted for 1 year
---	--

PROBOIL3 features:



- 80-98°C variable stored water temperature
- 3.5 litres maximum continuous draw off
- 50 cups per hour recovery rate
- Electronically controlled hot water system to ensure the first cup to the last are equally hot.
- Pumped delivery to ensure smooth flow with no spitting
- High quality stainless steel tank construction
- UK manufactured
- Choice of energy saving Eco modes
- Choice of 9 languages
- On screen service notifications with QR code links to user 'how to' maintenance videos
- Filter status indicator bar
- Child lock function
- Intelligent descale notification, user drainable & descalable

- Dimensions: 175mm (w) x 400mm (d) x 410mm (h)
- Weight (when full): 12.5Kg
- Power rating: 2.8kW, 220-240V 50Hz, 13A
- Pressure rating (min – max): 2-8 bar
- Boiler approvals: BS EN 60335-2-75:2004 +A2:2008, LVD (2014/35/EU), EMC (2014/30/EU), CE (93/68/EEC), RoHS(2011/65/EU)

For further information refer to proboil.co.uk and our user guides.

Our premium quality **PROBOIL** filter offers the following benefits:



- Filtered ambient and 80-98°C drinking water, engineered specifically for hot and ambient water applications
- Included with every **PROBOIL** system
- 6 month life (based on 19 degrees Clark (London average hardness) and 5 litres per day usage)

- Superfine 5 micron carbon block filtration
- Chlorine taste and odour reduction.
- pH balanced delivery
- Adjustable hardness settings allows optimised filter life and boiler scale protection
- Inbuilt corrosion protection
- Mineral adaption and scale reduction for protection
- Simple quarter turn bayonet installation
- Automated on screen life reminder

The complete package:

Each **PRONTEAU** system includes:

- A stylish choice of intelligent 4 way **PRONTEAU** mixer taps
- 2 x 4 way mixer tap Hotkeys
- **PROBOIL3** boiler
- **PROBOIL** premium scale filter and head
- Connecting hoses, safety devices and plumbing sundries
- Comprehensive installer and user guides
- User draining kit

- Nationwide professional installation service available on request
- Nationwide professional maintenance and service support
- Extended warranties and service plans available on request



WATER THE WAY YOU WANT IT