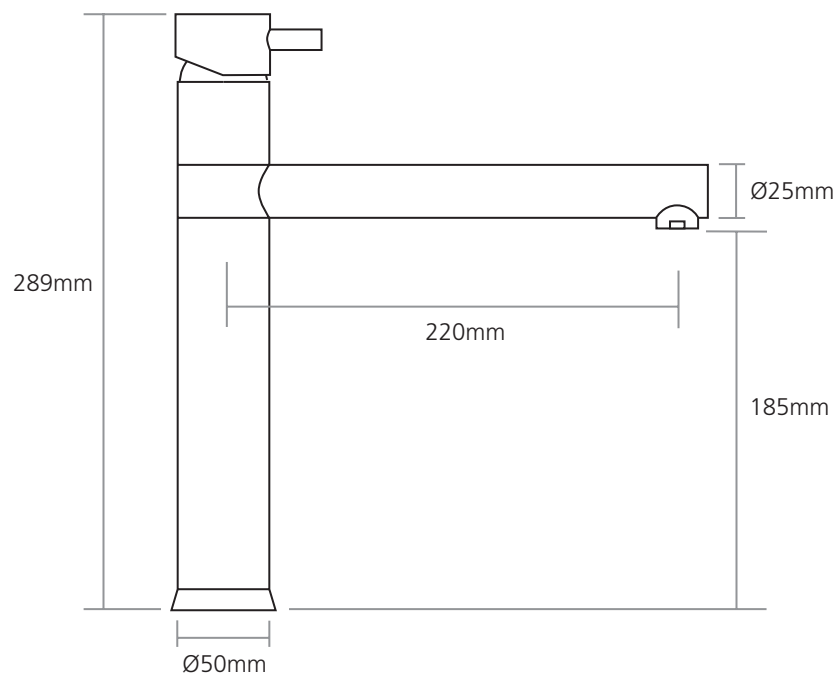


Product installation diagrams

Models:
ATL2-CH



Product installation diagrams

Models:
ATL/SS

