



Fitting type: Undermount or Inset

Sink handing: Not handed

Finish style: Metallic Black Granite

- **Min. base unit (bowl, tap & overflow only):** 500 mm
- **Packaged size L x W x D:** 570 x 580 x 280mm
- **Supplied boxed or sleeved:** Boxed
- **Boxed weight:** 12.04 kg
- **Sink only weight:** 8.46 kg

- Durable matt finish granite composite construction throughout
- Softened square edges for a sharp but easy clean look
- Smooth lined luxury Orbit waste supplied as standard
- Can be fitted as undermount or inset
- Compact sink designed to complement smaller kitchens
- Taphole provision to accept Switch filter diverter? No, Fit through worktop

Included parts:



1 x AX1002 (m)
90mm (1.5") Orbit manual basket
strainer waste - long bolt



1 x AX1007 (m)
Round overflow pipework



1 x AX1008 (m)
1.0 Bowl pipework



1 x AX1053 (m)
8 x Composite undermount clips, insert
& 25mm bolt



1 x AX4017 (m)
Fitting & care instructions & data sheet
- SQGR15 (inset and undermount)

Recommended accessories:



1 x AX2502 or AX2503
High & Dry drainer rack - Lime green
and grey

All accessories can be purchased directly from www.abode-shop.co.uk or phone 01226 283434

Materials and workmanship warranty summary:

- Sink materials & workmanship 10 years.
- Waste kits 1 year.
- Connecting pipework 1 year.

Care instructions:

- Clean the products regularly using soapy water and a non abrasive cloth, regular cleaning will prevent the build up of lime scale and dirt.
- Avoid contact with corrosive or abrasive substances.
- After cleaning rinse thoroughly with clean water then dry.
- For more detail see supplied booklet or www.abode.eu



EN13310:2003

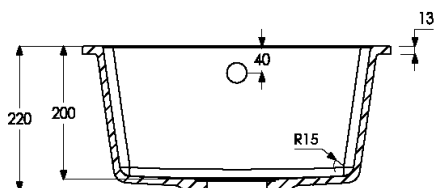
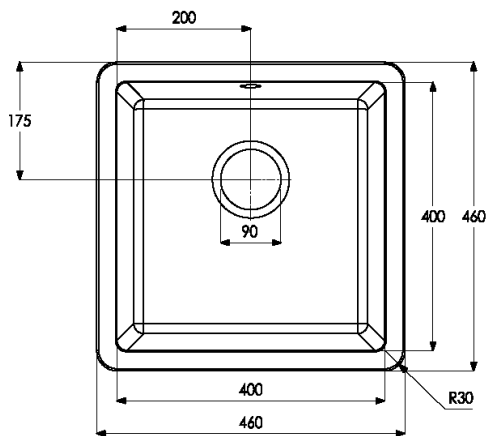
Domestic kitchen sink made of Granite & Acrylic composite

Cleanability: Pass
Load resistance: NPD / NA
(applies to wall hung sinks only)
Durability: Pass
For more information see www.abode.eu/ce.html

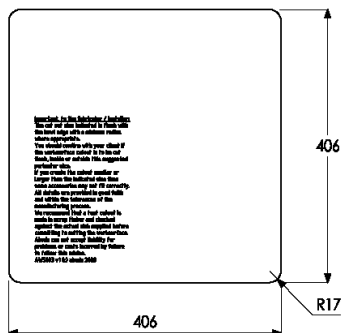
Product dimensions and installation information: note:



symbol indicates position of acoustic pad on stainless products.

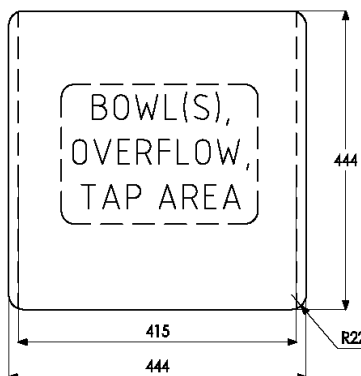


UNDERMOUNT CUT OUT



Important to the fabricator / installer:
This cut out size is indicated in this sheet to ensure a consistent fit. The manufacturer will not accept of the worktop cutout to fit the sink, basin or vanity. The suggested cutout size is provided for reference only.
If you create the cutout smaller or larger than the indicated size, the manufacturer will not accept liability for problems or costs incurred by failure to follow this request.
Abode can not accept liability for problems or costs incurred by failure to follow this request.
©2014 P14-0006-2014

INSET CUT OUT



Overall product size: 460 x 460 x 220 corner radius 30mm

Taphole(s) detail: None

Compatibility with large square taps:

Wastehole(s) detail (mm): 90 / N/A / N/A (nb. 90mm wastes accept a waste disposal unit)

Min. base unit (refers to space required for bowl, tap and overflow only): fits 500mm carcass

Min. Recessed fitting width: required (bowl(s), tap and overflow: 406mm

***Worktop cut out size:** 0x0 corner radius 0mm, for .DXF cut files please see www.abode.eu

Min. & Max worktop depth or clip depth reach range: 0 - 0mm

Fitting temple supplied? No, use cut out instructions as supplied

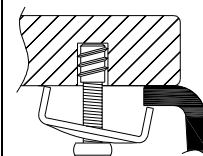
Dishwasher under drainer? Distance from top of worktop to underside of the drainer 0mm

Other:



***Important, fabricator / installer notes for undermount & flushmount sinks:**

The cut out size indicated is aligned with outside edge of the bowl top radius (see example below).



You should confirm with your client if the worksurface cutout is to be cut flush, inside or outside this suggested perimeter shape & size.

If you create the cutout smaller or larger than the indicated size then the fit of the accessories may be affected and should be physically checked.

General:

All details are provided in good faith but do not include the tolerances of the material or manufacturing process.

We request that a test cutout is made in scrap timber and checked against the actual sink to be installed before committing to cutting the final worksurface.

Abode can not accept liability for problems or costs incurred by failure to follow this request.

Note: the dimensions on ceramic fireclay products are subject to wider tolerances due to the nature of this natural material and the firing process.

CAD cutout files can be downloaded from www.abode.eu

Bowl details: (sizes in mm unless specified otherwise)

Bowl 1 (typically main bowl):

Bowl 1 size L x W x D (mm): 400 x 400 x 200

Bowl 1 construction: Moulded, 11.00mm

Bowl 1 floor radius (mm): 15

Bowl 1 Wastehole diameter (mm): 90

Bowl 1 overflow: Circular, 30mm diameter

Bowl 1 texture: Metallic Black Granite

Bowl 1 apx. volume (litres): 20.80

Bowl 2 (typically 1/2 or 3/4 bowl):

Bowl 2 size L x W x D (mm): N/A x N/A x N/A

Bowl 2 construction: N/A, N/Amm

Bowl 2 floor radius (mm): N/A

Bowl 2 Wastehole diameter (mm): N/A

Bowl 2 overflow: N/A

Bowl 2 texture: N/A

Bowl 2 apx. volume (litres): N/A

Bowl 3:

Bowl 3 size L x W x D (mm): N/A x N/A x N/A

Bowl 3 construction: N/A, N/Amm

Bowl 3 floor radius (mm): N/A

Bowl 3 Wastehole diameter (mm): N/A

Bowl 3 overflow: N/A

Bowl 3 texture: N/A

Bowl 3 apx. volume (litres): N/A

Important: Please retain this sheet for future use