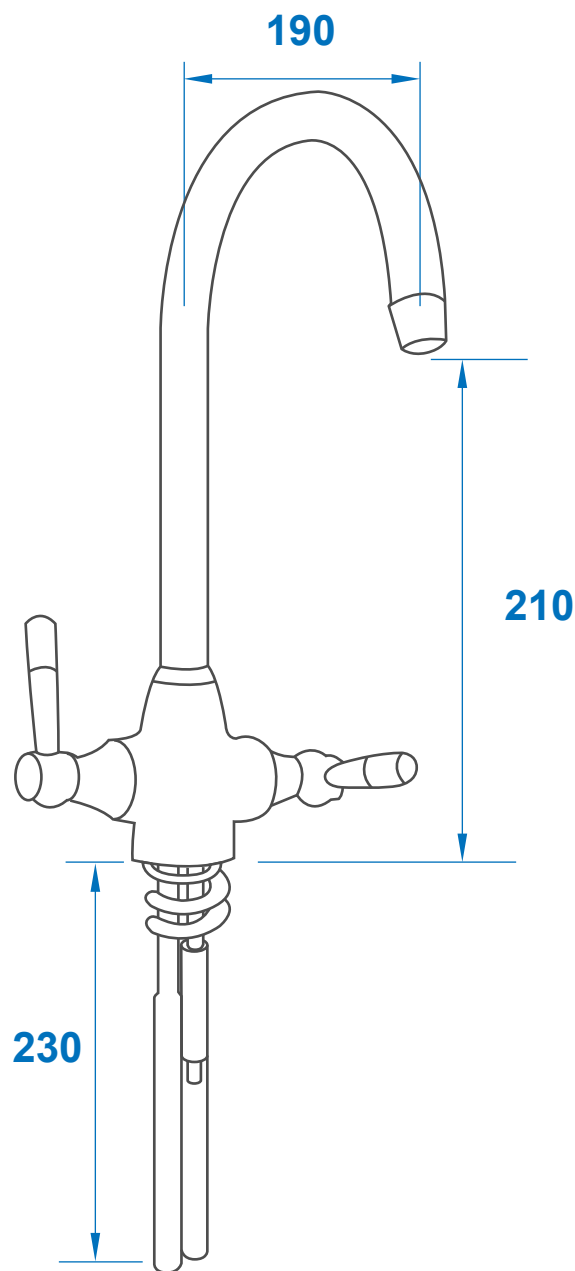
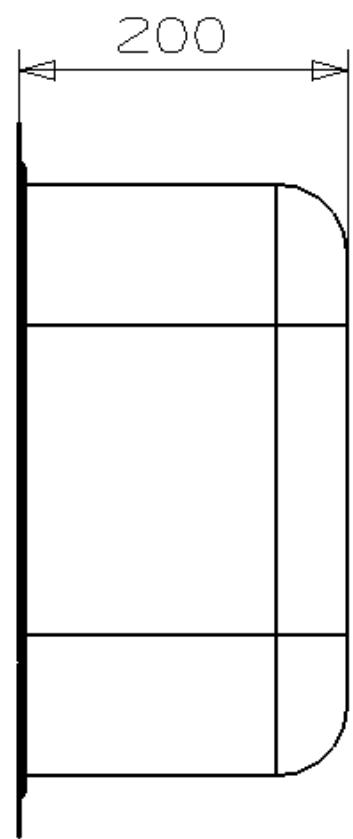
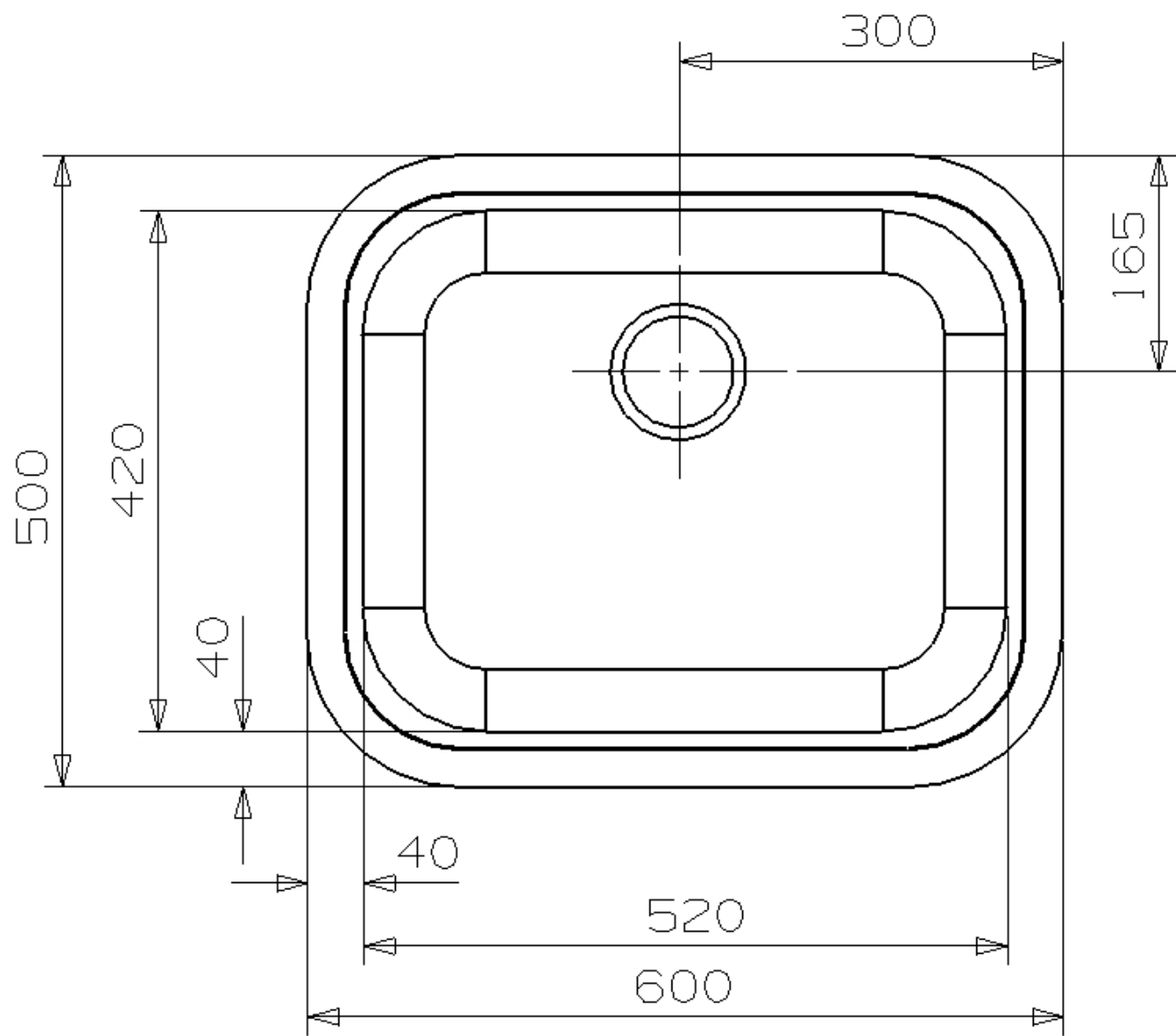


THAMES DUAL LEVER KITCHEN TAP

CODE: THAMES





Chicago

datum: 22-06-2009

Tolerantie buitenmaat per zijde ±0.5mm
 Toleranz Aussenmasse pro Seite ±0.5mm
 Per side the outside tolerance measure ±0.5mm