

abode

*Astbury 3 part mixer*

**Product Finish:** Chrome

**Product code:** AT3046

**EAN13 barcode:** 5060344151832



**Product features:**

- Low lead brass construction
- Quarter turn handle action for precise flow control
- Victorian inspired aesthetic
- Ceramic handle(s) as standard
- 5 year limited warranty

**Additional information / Parts included:**

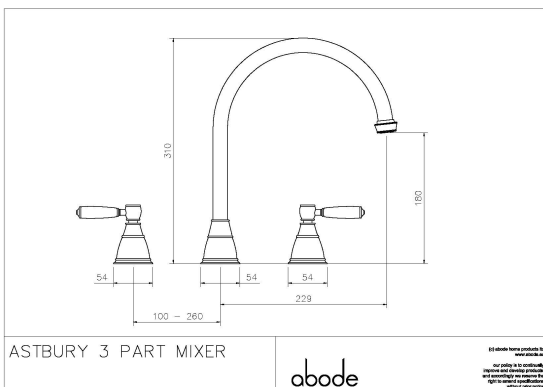
Cache key, allen key 1.5mm

**Packaged properties:**

**Box length (mm):** 600    **Box depth (mm):** 85  
**Box width (mm):** 320    **Units per outer:**

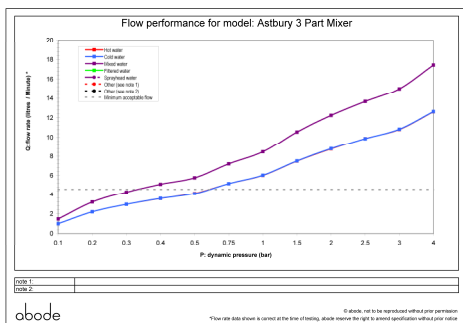
**Tap only weight (kg):**  
**Boxed weight (kg):**

**Product dimensions:**



- **Overall Height / projection (mm):** 310
- **Exit reach (mm):** 0
- **Exit height (mm):** 0
- **Centre distance(s):** (100 - 260mm)
- **Base diameter(s) (mm):** 54x 54
- **Recommended hole diameter (mm):** Ø 35
- **Max. surface depth (mm):** 45
- **Spout diameter (mm):** 20
- **Spout aerator size:** M20

**Product flow characteristics:**



- **Min / Max water pressure (bar):** 0.40 / 5.5
- **Recommended / Max water temperature:** 46°C / 70°C
- **Part G - Mixed flow rate at 3 bar (litres / min):** 15.01

- **Control valve type:** Ceramic disc QT
- **Product flow characteristics:** Single flow
- **Non-return/Check valve(s):** None

- **Aerator type:** Neoperl SLIM AIR CCSLC – STD flow class V
- **Accepts revolve / spray areator:** No
- **Spout connection method:** Locking collar

- **Tail pipe inlet / outlet size:** 1/2" BSP Male / M10 x 1/2" F
- **Inlet pipe type / length (mm):** fixed threaded inlets / 350

**Care instructions summary:**

- Clean the product regularly using a mild washing up liquid, do not use any other cleaners.
- Regular cleaning will prevent the build up of lime scale and dirt
- After cleaning rinse thoroughly with clean water to remove any cleaner residue
- Residues of sink & worktop cleaners can also cause damage, so rinse with clean water after using, avoid contact with any abrasives

**Warranty Summary** (Full details available on request):

- Materials and workmanship defects warranted for 5 years
- Valves and working parts warranted for 5 years
- Surface warranty defects warranted for 5 years
- O-rings, hoses & gaskets warranted for 5 years

