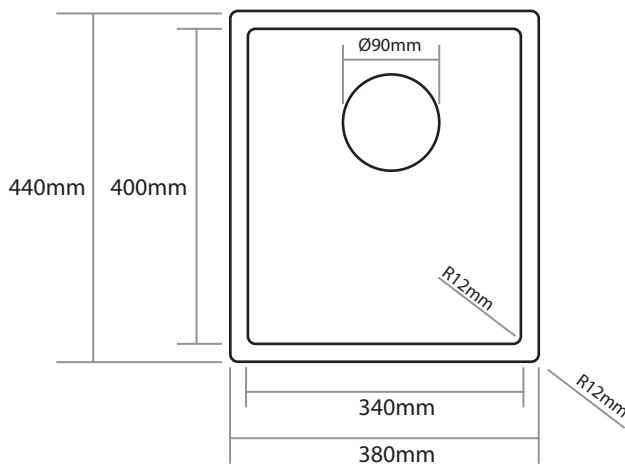


Product installation diagrams

Models:
MODE034



Bowl depth 200mm

Min. base unit 400mm

Use template for cut-out shape see
www.caple.co.uk for template