



3N1 Steaming Hot Water Tap

At the pull of a lever, the 3N1 steaming hot water tap can produce steaming hot filtered water up to 98°C, regular hot and regular cold water and replaces your main tap. Ideal for making hot drinks, cleaning, preparing pasta and more.

Features

- Dispenses up to 98°C filtered steaming hot water, which is perfect for hot drinks and countless kitchen tasks
- Designed and manufactured in Italy
- Safe, multi step hot water handle
- Elegant one-piece design
- Efficient use of space and time
- Easy to install
- Available in chrome, brushed steel and other finishes
- 5 year tap guarantee and 2 year tank guarantee

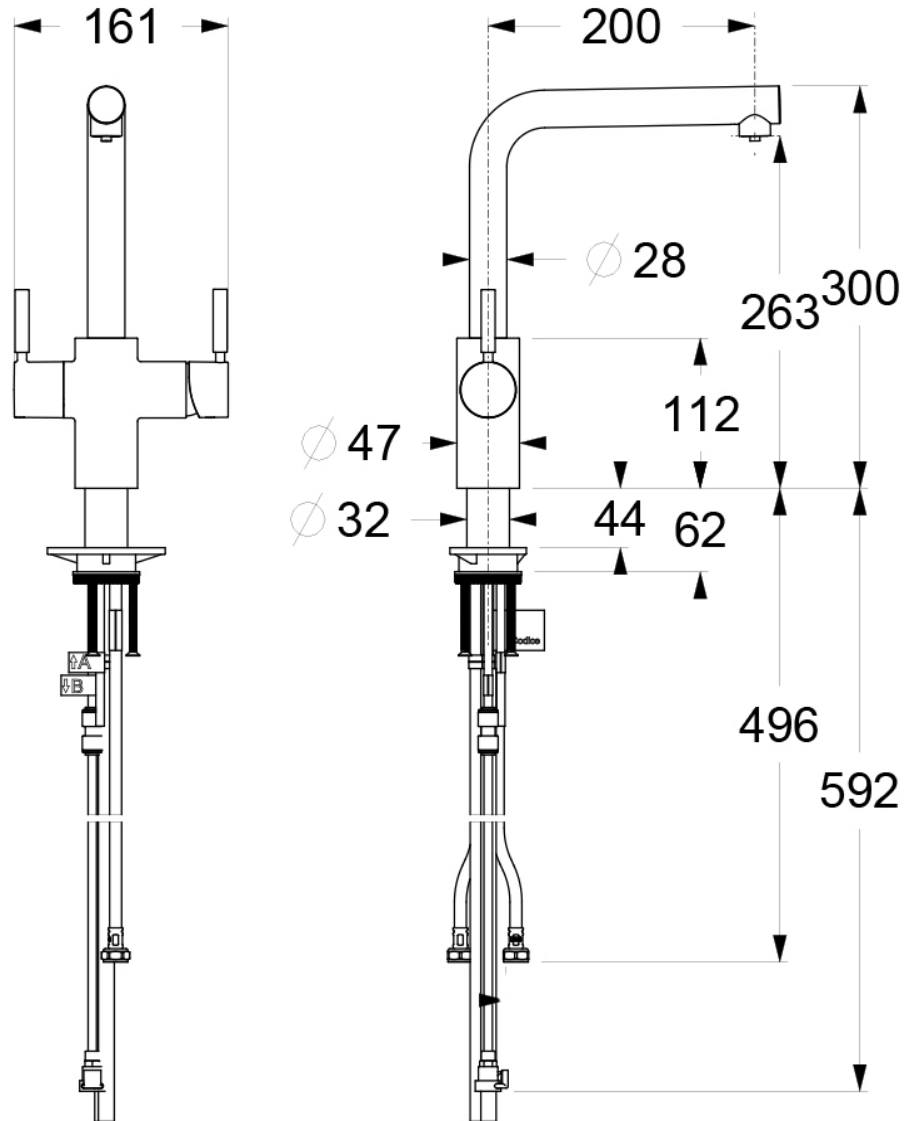
PRODUCT SPEC SHEET

3N1
Steaming Hot
Water Tap

Specifications

- Solid, high-quality low lead brass
 - Complete installation kit for solid surface mount
 - Capacity: 2.5 litre stainless steel tank dispenses up to 98°C filtered steaming hot water
 - Tap height: 300mm
- Required hole diameter:
35-38mm
- Required supply pressure (cold): 172-862 kPa (1.7-8.6 bar) (25-125 psi)
 - Required supply pressure (hot): 50xPa (0.5 bar) (7 psi)

Dimensions (mm)



InSinkErator
Suite 10, Building 6
Hatters Lane
Croxley Green Business Park
Watford, Herts WD18 8YH
United Kingdom
Sales tel: 01923 297 880
Service tel: 0800 389 3715
www.insinkeratorsc.co.uk

InSinkErator
Emerson Electric Co.
4700 21st Street
Racine, WI 53406-5093 USA
Sales/Service tel: +1 262-554-5432
www.insinkerator.com/worldmap.html

Pending
WRAS
APPROVED
PRODUCT