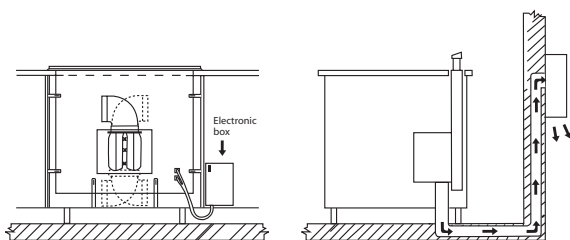
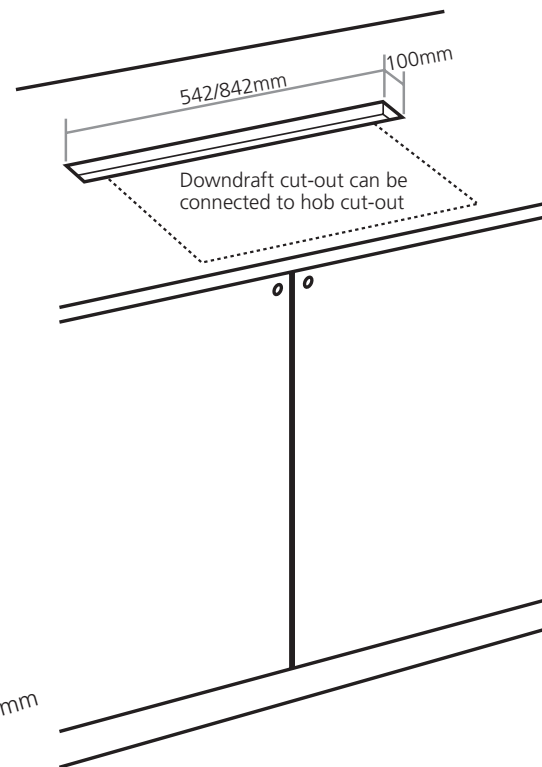
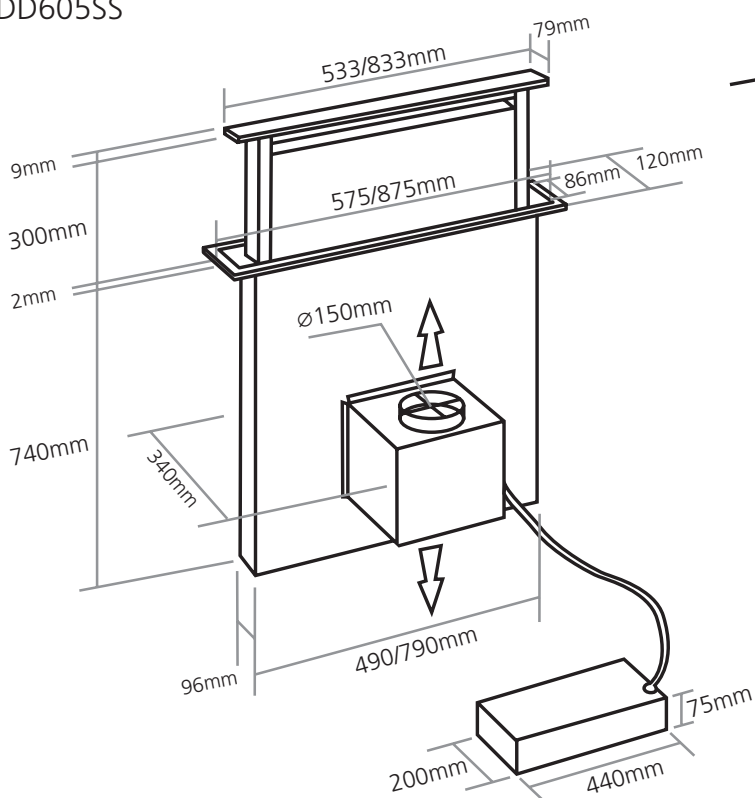


Product installation diagrams

Models:
 DD905BK
 DD905SS
 DD605BK
 DD605SS



Installation made easy

Minimum cabinet depth depends on orientation, hob type and worktop material.

Cabinet base may need to be cut or routed to accommodate height of unit.

If positioned behind a hob, minimum cabinet width for DD520/600 hoods is 600mm and for DD900/910 hoods is 900mm.

If positioned alongside a hob, the cabinet may need to be reinforced to strengthen where the base has been modified.

The hood can be fitted right up to either a gas or electric hob, but always ensure that the independent electronics box in the cupboard below is installed at least 650mm from the heat source.

The hood can be ducted from both sides enabling the downdraft to be positioned behind a hob and under-counter oven.