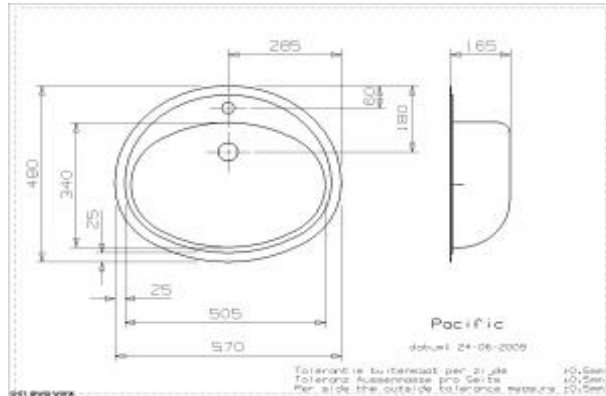


## Product Specification Sheet

UK Product Code	PACIFIC / PACIFIC-H
Cross Reference Code	
Old UK Code	N/A



## Specification

Description	VANITY BOWL WITHOUT OVERFLOW
Colour	CHROME
Finish	POLISHED CHROME
No. Of Bowls	1
Welded or Pressed	PRESSED
Gauge of Steel	0.8
Fitting Methods	INSET, UNDERMOUNT, FLUSH
Handing Options	N/A
Waste Kit Included	Yes
Clips & Seals Included	
Waste Specifications	50MM
Overflow	Pacific: with overflow / Pacific-H: no overflow
Tap Hole Cover	N/A
Tap Hole Size	35MM
Warranty	10 YEAR

Template	NO
Sink Dimensions (mm)	570 X 480 X 165
Bowl Dimensions (mm)	505 X 340
Half Bowl Dimensions (mm)	N/A
Cut Out Size (mm)	Irregular, refer to website
Product Weight (kg)	1.2
Packed Weight (kg)	2.5
Packed Dimensions (mm)	615 x 530 x 215mm
To Fit Cabinet	600+

